



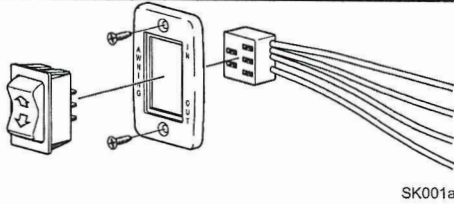
RV Kits

CAREFREE

SWITCH INSTALLATION

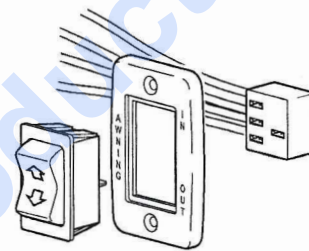
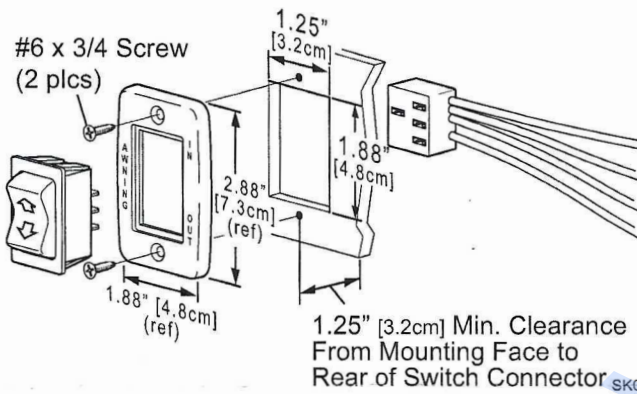
SINGLE SWITCH INSTALLATION KIT USED FOR 12V AWNINGS

Models: Travel'r, Eclipse (single switch), Freedom Series Awnings, Marquee



Switch
Connector
Narrow Switch Plate
Screws

SWITCH INSTALLATION



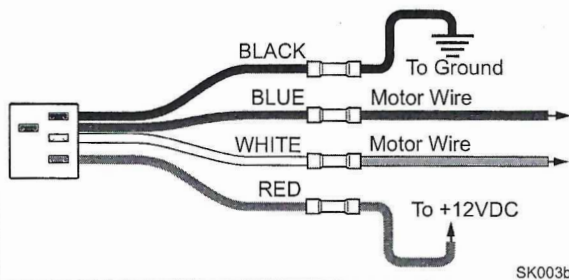
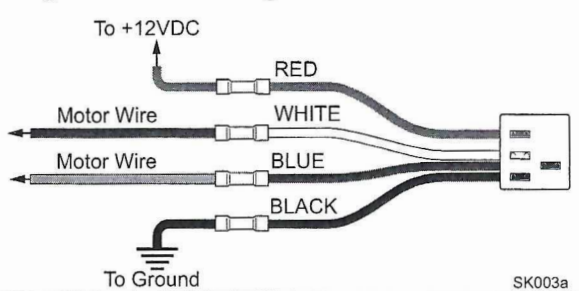
Left Side Orientation

SK002a

1. Route the motor wires from the awning per the instructions in the awning installation manual.
2. At the switch location, cut a rectangular hole 1.25" (3.2cm) x 1.88" (4.8cm) through the mounting surface.
3. Determine the switch orientation:
 - 3.1. The wires of the connector extend from the side of the switch with 3 terminals on the back.
 - 3.2. For wire routing on the right side of the switch as shown in Detail A, orient the switch with the 3 terminals on the right.
 - 3.3. For wire routing on the left side of the switch as shown in Detail C, orient the switch with the 3 terminals on the left.
 - 3.4. Push the switch into the faceplate until the tabs on the switch "click" into place behind the faceplate. Ensure that the switch and faceplate are oriented so that the lettering is up and the wires are oriented as desired.
 - 3.5. Set switch aside and go to "Wiring the Connector on page 2.

WIRING THE CONNECTOR

1. Route the awning motor wires through the switch hole and attach to the switch connector:



LH CONNECTOR ORIENTATION

RH CONNECTOR ORIENTATION

CONNECTOR WIRE COLOR	Eclipse Travel'r	Freedom WM Marquee	Freedom RM	Eclipse Travel'r	Freedom WM Marquee	Freedom RM
	↓	↓	↓	↓	↓	↓
RED →	+12VDC	+12VDC	+12VDC	+12VDC	+12VDC	+12VDC
WHITE →	RED	BLUE	BROWN	BLACK	BROWN	BLUE
BLUE →	BLACK	BROWN	BLUE	RED	BLUE	BROWN
BLACK →	Ground	Ground	Ground	Ground	Ground	Ground

2. Run a 16 awg (minimum) wire from the power distribution panel (auxiliary battery circuit) or equivalent. The circuit should be protected by a 15-amp fuse.
3. Run a 16 awg (minimum) wire to system ground.
4. Route the two wires through the mounting hole. Butt splice the 12VDC wire to the RED connector wire. Butt splice the ground wire to the BLACK connector wire.
5. Attach the connector to the switch.
6. Restore power and test the switch operation.
7. *If the awning operates opposite to the switch plate markings:*
 - Shut off power;
 - Reverse motor wires connected to the blue and white connector wires;
 - Restore power and test.
8. Push the wires, connector and switch into the mounting hole and secure the switch plate using two (2) #6 x 3/4" flat head screws.