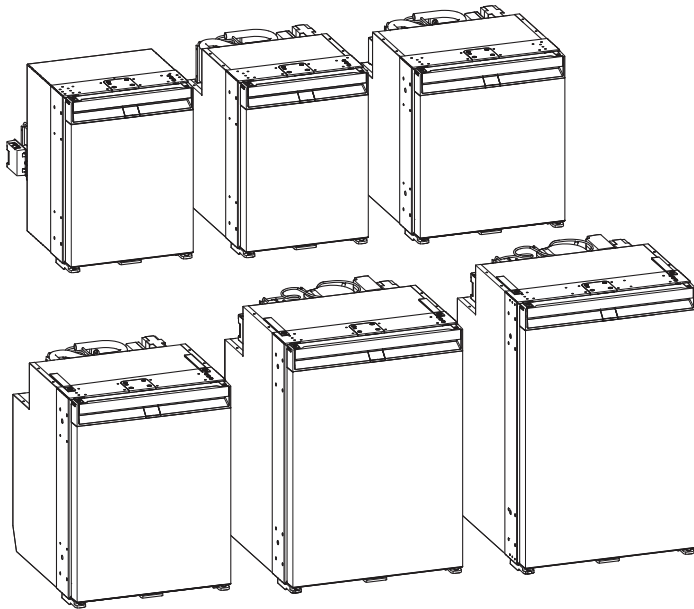




REFRIGERATION

NRX



NRX0050,0060,0080 (T), NRX0035,0050,0060,0080,0115,0130 (E/C),
NRX1035,1050,1060,1080,1115,1130 (S)

| | | | | | |
|-----------|---|----|-----------|--|----|
| EN | Compressor refrigerator Operating Manual..... | 3 | ES | Nevera de compresor Instrucciones de uso..... | 63 |
| FR | Réfrigérateur à compresseur Manuel d'utilisation..... | 32 | PT | Frigorífico com compressor Manual de instruções..... | 94 |

Copyright

© 2025 Dometic Group. The visual appearance of the contents of this manual is protected by copyright and design law. The underlying technical design and the products contained herein may be protected by design, patent or pending patent. The trademarks mentioned in this manual belong to Dometic Sweden AB. All rights are reserved.

English

| | | |
|----|---|----|
| 1 | Important notes..... | 3 |
| 2 | Explanation of symbols..... | 3 |
| 3 | Explanation of symbols on the device..... | 4 |
| 4 | Safety instructions..... | 4 |
| 5 | Scope of delivery..... | 7 |
| 6 | Accessories..... | 7 |
| 7 | Intended use..... | 8 |
| 8 | Technical description..... | 8 |
| 9 | Before first use..... | 11 |
| 10 | Information on storing food..... | 13 |
| 11 | Saving energy..... | 13 |
| 12 | Using the refrigerator door..... | 14 |
| 13 | Switching on and off..... | 15 |
| 14 | Setting the operation modes..... | 16 |
| 15 | Setting the cooling level..... | 16 |
| 16 | Repositioning the shelves..... | 16 |
| 17 | Removing the frozen compartment..... | 18 |
| 18 | Installing the AC/DC adapter..... | 19 |
| 19 | Cleaning and maintenance..... | 19 |
| 20 | Troubleshooting..... | 22 |
| 21 | Warranty..... | 26 |
| 22 | Disposal..... | 26 |
| 23 | Technical data..... | 26 |
| 24 | Technical data..... | 30 |
| 25 | Legal..... | 31 |

1 Important notes

Please read these instructions carefully and follow all instructions, guidelines, and warnings included in this product manual in order to ensure that you install, use, and maintain the product properly at all times. These instructions **MUST** stay with this product.

By using the product, you hereby confirm that you have read all instructions, guidelines, and warnings carefully and that you understand and agree to abide by the terms and conditions as set forth herein. You agree to use this product only for the intended purpose and application and in accordance with the instructions, guidelines, and warnings as set forth in this product manual as well as in accordance with all applicable laws and regulations. A failure to read and follow the instructions and warnings set forth herein may result in an injury to yourself and others, damage to your product or damage to other property in the vicinity. This product manual, including the instructions, guidelines, and warnings, and related documentation, may be subject to changes and updates. For up-to-date product information, please visit documents.domestic.com.

2 Explanation of symbols

A signal word will identify safety messages and property damage messages, and also will indicate the degree or level of hazard seriousness.



WARNING!

Indicates a hazardous situation that, if not avoided, could result in death or serious injury.



CAUTION!

Indicates a hazardous situation that, if not avoided, could result in minor or moderate injury.

**NOTICE!**

Indicates a situation that, if not avoided, could result in property damage.



NOTE Supplementary information for operating the product.

3 Explanation of symbols on the device



Warning! Risk of fire. Flammable materials.

4 Safety instructions

General safety

**WARNING! Electrocuting hazard**

- > Installation and removal of the refrigerator may only be carried out by qualified personnel.
- > Installation in washrooms and areas exposed to water must be performed by a qualified technician.
- > If installing the refrigerator under a canopy or similar environment, ensure that the refrigerator is protected from rain and splashing water.
- > Do not operate the refrigerator if it is visibly damaged.
- > This refrigerator may only be repaired by qualified personnel. Improper repairs can result in considerable danger or damage to the refrigerator.
- > If the power cable for this refrigerator is damaged, it must be replaced by the manufacturer, customer service or a similarly qualified person in order to prevent safety hazards.
- > When positioning the refrigerator, ensure the supply cord is not trapped or damaged.
- > Do not locate multiple portable socket-outlets or portable power supplies at the rear of the refrigerator.
- > Do not touch exposed cables with your bare hands.
- > Plug the device to sockets that ensure proper connection especially when the device needs to be grounded.
- > If the device is powered by the mains, ensure that the power supply has a residual current circuit breaker (RCCB) or a ground fault circuit interrupter (GFCI). The installation must be carried out in accordance with all applicable regulations, especially in potentially damp areas.

**WARNING! Fire hazard**

- > The refrigerant in the refrigerant circuit is flammable and in the event of a leakage combustible gases could build up if the appliance is in a small room. In the event of any damage to the refrigerant circuit:
 - Keep naked flames and potential ignition sources away from the refrigerator.
 - Ventilate the room well.
 - Switch off the refrigerator.
- > For refrigerators with flammable refrigerant: The refrigeration circuit contains a small quantity of an environmentally friendly but flammable refrigerant. It does not damage the ozone layer and does not increase the greenhouse effect. Any leaking refrigerant may ignite.
- > For refrigerators with flammable refrigerant: Do not use or store the refrigerator in confined spaces with none or minimal air flow.
- > Keep the installation recess for the refrigerator free of any electrical components and light sources which during normal or abnormal operation produce sparks or arcs (i.e., relays or fuse boxes).

- > The insulation of the refrigerator contains flammable cyclopentane and requires special disposal procedures. Deliver the refrigerator at the end of its life-cycle to an appropriate recycling center.



WARNING! Explosion hazard

Do not store any explosive substances, such as aerosol cans with propellants, in the refrigerator.



WARNING! Health hazard

- > This refrigerator is not intended for use by persons (including children) with reduced physical, sensory or mental capabilities, or lack of experience and knowledge, unless they have been given supervision or instruction concerning use of the refrigerator by a person responsible for their safety.
- > Children aged from 3 to 8 years are allowed to load and unload the refrigerator.
- > Cleaning and user maintenance shall not be made by children without supervision.
- > Children must be supervised to ensure that they do not play with the refrigerator.



WARNING! Risk of child entrapment

- > Ensure that the shelves are mounted and secured so that children cannot lock themselves in the refrigerator.
- > Before disposing of your old refrigerator:
 - Dismantle the drawers.
 - Leave the shelves in the refrigerator so that children cannot climb inside.
- > Take off the doors.



CAUTION! Health hazard

- > To avoid a hazard due to instability of the refrigerator, it must be fixed in accordance with the installation instructions.
- > Keep ventilation openings, on the refrigerator and in its enclosure or in the built-in structure, clear of obstruction.
- > Do not use mechanical devices or other means to accelerate the defrosting process, other than those recommended by the manufacturer.
- > Do not open or damage the refrigerant circuit under any circumstances.
- > Do not use electrical devices inside the refrigerator unless they are recommended by the manufacturer for that purpose.



CAUTION! Risk of injury

- > Do not use or store flammable materials in or near this refrigerator.
- > Do not place articles on or against this refrigerator.
- > Do not modify this refrigerator.



NOTICE! Damage hazard

- > Only select operation with DC power supply if the vehicle engine is running and providing sufficient voltage, or if you are using a battery monitor.
- > If present, keep the condensate drain clean at all times.
- > If the refrigerator has ventilation grilles, do not use a high-pressure cleaner near the ventilation grille when cleaning the vehicle.
- > The refrigerator shall not be exposed to rain.
- > Never pull the plug out of the socket by the connection cable.

Operating the refrigerator safely



DANGER! Electrocutation hazard

Before starting the refrigerator, ensure that the power supply line and the plug are dry.



CAUTION! Health hazard

- > Ensure to put only items in the refrigerator which may be chilled at the selected temperature.
- > Clean regularly surfaces that can come in contact with food and accessible drainage systems.
- > Store raw meat and fish in suitable containers in the refrigerator, so that it is not in contact with and cannot drip onto other food.
- > Opening the door for long periods can cause a significant increase of the temperature in the compartments of the refrigerator. If the refrigerator is left empty for long periods:
 - Switch off the refrigerator.
 - Defrost the refrigerator.
 - Clean and dry the refrigerator.
 - Leave the door open to prevent mold developing within the refrigerator. If available, put the refrigerator door and the freezer door into the winter position.



CAUTION! Risk of injury

- > Do not put your fingers into the hinge.
- > Close and latch the refrigerator door before beginning a journey.
- > The cooling system at the back of the refrigerator becomes very hot during operation. If the refrigerator is equipped with ventilation grilles, protect yourself from contact with hot parts when removing the ventilation grilles.
- > The device door or the freezer door can completely detach from the device if used incorrectly. Push the doors closed until you hear a clear click at the top and bottom.



NOTICE! Damage hazard

- > Do not lean on the open refrigerator door.
- > Store heavy objects such as bottles or cans only in the refrigerator door, in the vegetable compartment or on the bottom shelf.
- > If the refrigerator has a double-sided door and the door is not locked correctly on the opposite side, push on that side at the top and the bottom until it locks in place.
- > **Danger of overheating!** Always ensure sufficient ventilation so that the heat generated during operation can dissipate. Ensure that the refrigerator is sufficiently far away from walls and other objects so that the air can circulate.
- > Do not fill the interior with ice or fluid.
- > Protect the refrigerator and the cable against heat and moisture.
- > Never pull the plug out of the socket by the connection cable.



NOTE

- > If the battery management system of your vehicle shuts down the refrigerator to protect the battery, contact your vehicle manufacturer.
- > For ambient temperatures of 15 °C (59°F) ... 25 °C (77°F) select the average temperature setting.
- > If the door is not locked correctly on the opposite side, push on that side at the top and the bottom until it locks in place.
- > To avoid food waste, note the following:
 - Keep temperature fluctuation as low as possible. Only open the freezer as often and for as long as necessary. Store the foodstuff in such a way that the air can still circulate well.

- Ensure to put only items in the refrigerator which may be chilled at the selected temperature.
- Store the different foodstuff types as shown in the figures.
- If the temperature can be adjusted: Adjust the temperature to the quantity and type of the foodstuff.
- Foodstuff can easily absorb or release odor or taste. Always store foodstuff covered or in closed containers/bottles.

5 Scope of delivery

| Quantity | Description |
|----------|--------------------------------|
| 1 | Compressor refrigerator |
| 1 | Drain elbow |
| 1 | Short operating manual |
| 1 | Operating manual (online only) |
| 1 | Installation manual |

6 Accessories

Available as accessories (not included in the scope of delivery):

| Description | Ref. no. |
|--|------------|
| Sliding hinge | 9620012939 |
| Fastening frame including bottom frame | |
| • NRX0035, NRX1035, NRX0050, NRX1050 | 9620012877 |
| • NRX0060, NRX1060 | 9620012881 |
| • NRX0080, NRX1080 | 9620012882 |
| • NRX0115, NRX1115 | 9620012878 |
| • NRX0130, NRX1130 | 9620012876 |
| Fastening frame including bottom frame (black) | |
| • NRX0035, NRX1035, NRX0050, NRX1050 | 9620012874 |
| • NRX0060, NRX1060 | 9620012875 |
| • NRX0080, NRX1080 | 9620012880 |
| • NRX0115, NRX1115 | 9620012879 |
| • NRX0130, NRX1130 | 9620012883 |
| Shelf replacement for removed frozen compartment | |
| • NRX0035, NRX1035, NRX0050, NRX1050 | 9620012933 |
| • NRX0060, NRX1060 | 9620012938 |
| • NRX0080, NRX1080 | 9620012935 |

| Description | Ref. no. |
|--|------------|
| <ul style="list-style-type: none"> NRX0115, NRX1115, NRX0130, NRX1130 | 9620012932 |
| Frozen compartment | |
| <ul style="list-style-type: none"> NRX0035, NRX1035, NRX0050, NRX1050 | 9620012931 |
| <ul style="list-style-type: none"> NRX0060, NRX1060 | 9620012936 |
| <ul style="list-style-type: none"> NRX0080, NRX1080 | 9620012934 |
| <ul style="list-style-type: none"> NRX0115, NRX1115, NRX0130, NRX1130 | 9620012937 |
| AC/DC Adapter | 9620013451 |

7 Intended use

The refrigerator is intended for:

- Installation in caravans, motor homes, boats, and trucks
- Cooling and storing food
- **NRX0035–0130(C), NRX0050–0080(T) and NRX1035–1130(S) only:** Storing prefrozen food
- Indoor use

This refrigerator is not intended for commercial, retail or household applications.

The refrigerator is **not** suitable for:

- Storing medications
- Storing corrosive substances or substances that contain solvents
- Quick-freezing food
- Outdoor use

When used on boats, the device shall be installed in a dayroom area and not open deck.

The frozen compartment is suitable for storing pre-frozen food, storing or making ice cream and making ice cubes. It is not suitable for freezing previously unfrozen food.

The refrigerator is intended for installation in a piece of cabinetry or an installation niche.

Optimum cooling performance is provided at ambient temperatures between 16 °C (60.8°F) ... 43 °C (109.4°F) and at a maximum humidity of 90 % .

This product is only suitable for the intended purpose and application in accordance with these instructions.

This manual provides information that is necessary for proper installation and/or operation of the product. Poor installation and/or improper operation or maintenance will result in unsatisfactory performance and a possible failure.

The manufacturer accepts no liability for any injury or damage to the product resulting from:

- Incorrect installation, assembly or connection, including excess voltage
- Incorrect maintenance or use of spare parts other than original spare parts provided by the manufacturer
- Alterations to the product without express permission from the manufacturer
- Use for purposes other than those described in this manual

Dometic reserves the right to change product appearance and product specifications.

8 Technical description

The refrigerator is a compressor refrigerator.

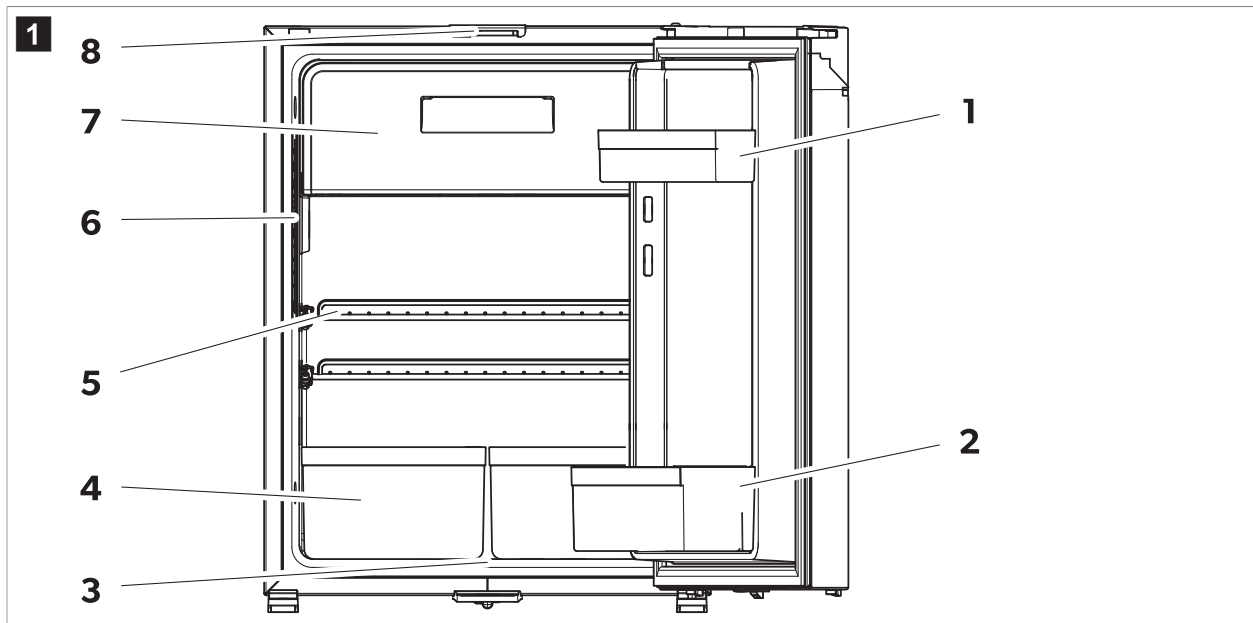
NRX1035-1130(S): The refrigerator is designed to operate with different types of power and can be run either on a DC or AC power supply.

NRX0035-0130(C), NRX0050-0080(T) and NRX1035-1130(S): The model is factory fitted with a frozen compartment, which can be removed and reinstalled.

The refrigerator door has a latching mechanism to protect it during transport.

All materials used in the refrigerator are compatible for use with foodstuffs.

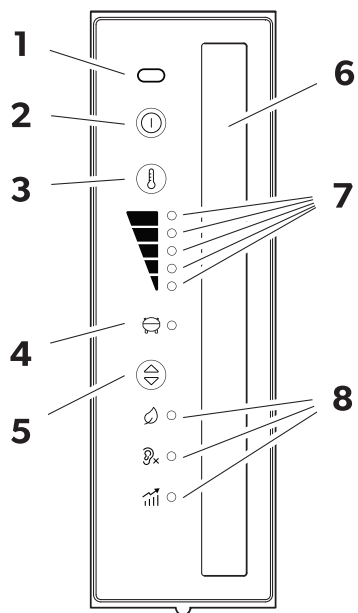
Description of the device



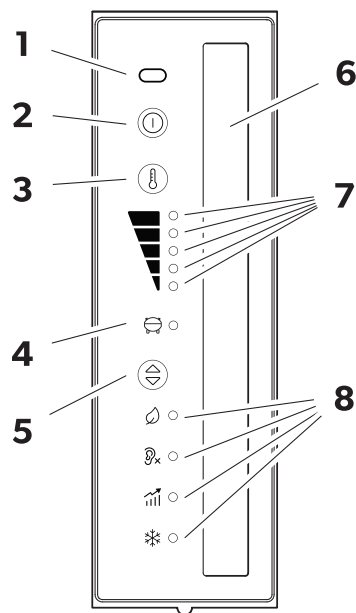
| No. | Explanation |
|-----|---|
| 1 | Door shelf (NRX0035-0130[C], NRX0050-0080[T], NRX1035-1130[S] and NRX0080-0130[E] only) |
| 2 | Bottle shelf |
| 3 | Condensate drain |
| 4 | Crisper (only NRX0035-0130[C], NRX0050-0080[T] and NRX1035-1130[S]) |
| 5 | Cabinet shelf |
| 6 | Control panel with display |
| 7 | Frozen compartment (only NRX0035 - 0130[C], NRX0050 - 0080[T] and NRX1035-1130[S]) |
| 8 | Door latch for ventilation |

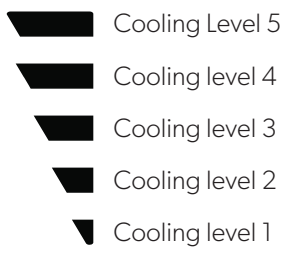
Control and display elements

2 NRX0035 – 0130 (E)



**NRX0050 – 0080 (T),
NRX0035 – 0130 (C),
NRX1035 – 1130 (S)**



| No. | Explanation |
|-----|---|
| 1 | IR door opening sensor |
| 2 | Ⓞ ON/OFF button |
| 3 | Ⓢ Cooling level setting button |
| 4 | Compressor and error indicator LED |
| 5 | Ⓢ Operation mode button |
| 6 | Interior lighting |
| 7 | Cooling level indicator LEDs  |
| 8 | Operation mode indicator LEDs |





Compressor and error indicator LED

The compressor and error indicator LED displays the operating status of the compressor or indicates an error:

| Color | Description |
|-------------------|---|
| White | Compressor on |
| Orange | Compressor off |
| Orange (flashing) | Error (see chapter Error indication on page 25) |

Operation mode indicator LEDs

The operation mode indicator LEDs display the following setting options:

| Symbol | Description |
|--|---|
|  | ECO mode: Operation with reduced energy -consumption. Cooling level 1 – 3 |
|  | QUIET mode: Operation with reduced noise level. Cooling level 1 – 4 |
|  | PERFORMANCE mode: Cooling level 1 – 5 |
|  | FREEZER mode (NRX0035–0130[C], NRX0050–0080[T] and NRX1035–1130[S] only): Operation with frozen compartment removed. Cools down the complete interior of the refrigerator to –6 °C (21.2°F). |

9.1 Before first use

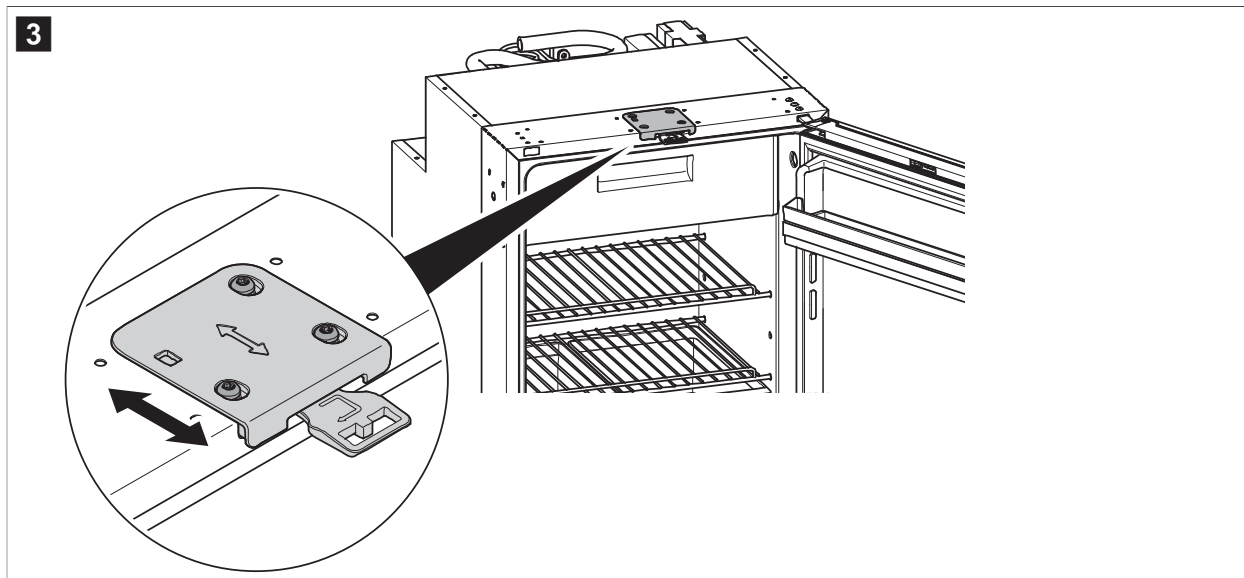


NOTE

- > Do not store goods in the refrigerator for the first 4 hours after start-up.
- > When using the refrigerator for the first time, there may be a mild odor which will disappear after a few hours. Air out the living space well.
- > The cooling capacity can be affected by:
 - The ambient temperature (e.g. when the vehicle is exposed to direct sunlight)
 - The amount of food to be refrigerated
 - How often the door is opened
- > Clean the inside of the refrigerator for hygienic reasons (see Cleaning and maintenance on page 19).
- > Park the vehicle so that it is level, especially when starting up and filling the refrigerator before setting off on a journey.

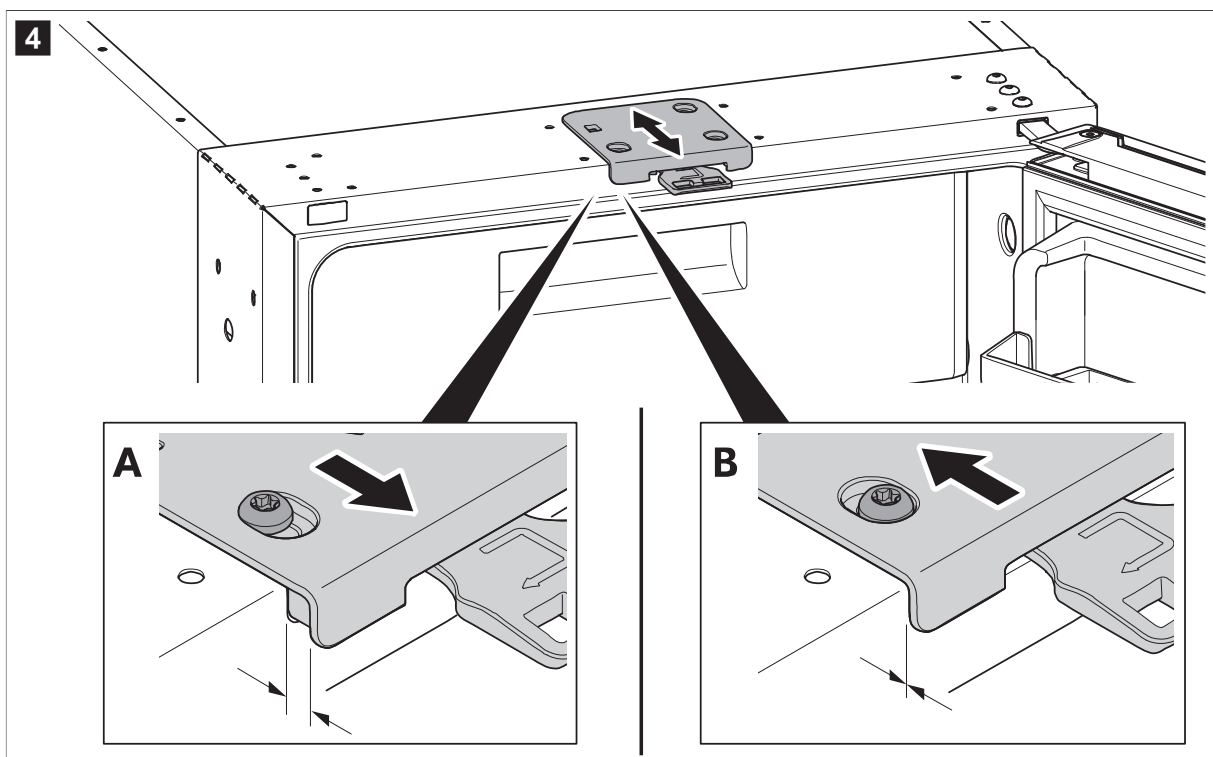
9.1.1 Adjusting the door latch

The door latch on the top of the refrigerator can be adjusted to regulate the closing width of the door.



i **NOTE** Check whether the adjustable door latch is installed. If necessary, order the adjustable door latch (dometic.com) and replace the fixed door latch with the adjustable door latch.

> The door latch is set to position **A** at the factory. Move the door latch to position **B**.



i **NOTE** If the door latch is in position **B**, ensure that the door latches properly when closing (see chapter Closing and securing the refrigerator door on page 14).

9.2 Information on storing food



CAUTION! Health hazard

If the refrigerator is exposed to an ambient temperature below 10 °C (50°F) for an extended period of time, regulation of the frozen compartment temperature can no longer be guaranteed. That may cause the temperature of the frozen compartment to increase and the stored goods to be defrosted.

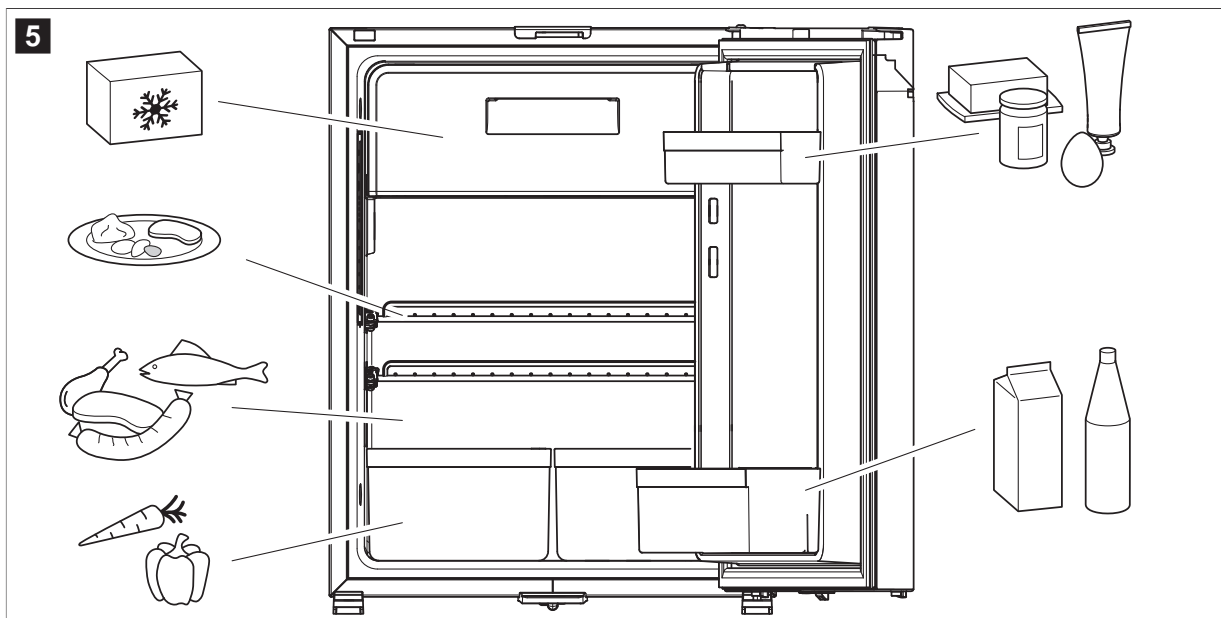


NOTICE! Damage hazard

- > Observe the maximum load per door shelf and door when filling the refrigerator (see Technical data on page 26).
- > Do not keep carbonated drinks in the frozen compartment.

To avoid food waste, note the following:

- Keep temperature fluctuation as low as possible. Only open the refrigerator as often and for as long as necessary to avoid a significant increase of the temperature in the compartments of the refrigerator. Store the foodstuff in such a way that the air can still circulate well.
 - Check if the cooling capacity of the refrigerator is suitable for the food you want to cool.
 - Ensure to put only items in the refrigerator which may be chilled at the selected temperature.
 - If the temperature can be adjusted: Adjust the temperature to the quantity and type of the foodstuff.
 - Store the different foodstuff types as shown in the figures.
 - Foodstuff can easily absorb or release odor or taste. Always store foodstuff covered or in closed containers/ bottles.
- > Store food as shown.



9.3 Saving energy

- Only open the refrigerator as often and for as long as necessary.
- Allow warm food to cool down first before placing it in the device to keep cool.
- Defrost your refrigerator as soon as a layer of ice forms.
- Avoid unnecessarily low temperature settings.
- For optimal energy consumption, position the shelves and drawers according to their position on delivery.
- On a regular basis, ensure the door seal still fits properly.

- Clean dust and dirt from the condenser at regular intervals.

9.4 Using the refrigerator door



CAUTION! Risk of injury

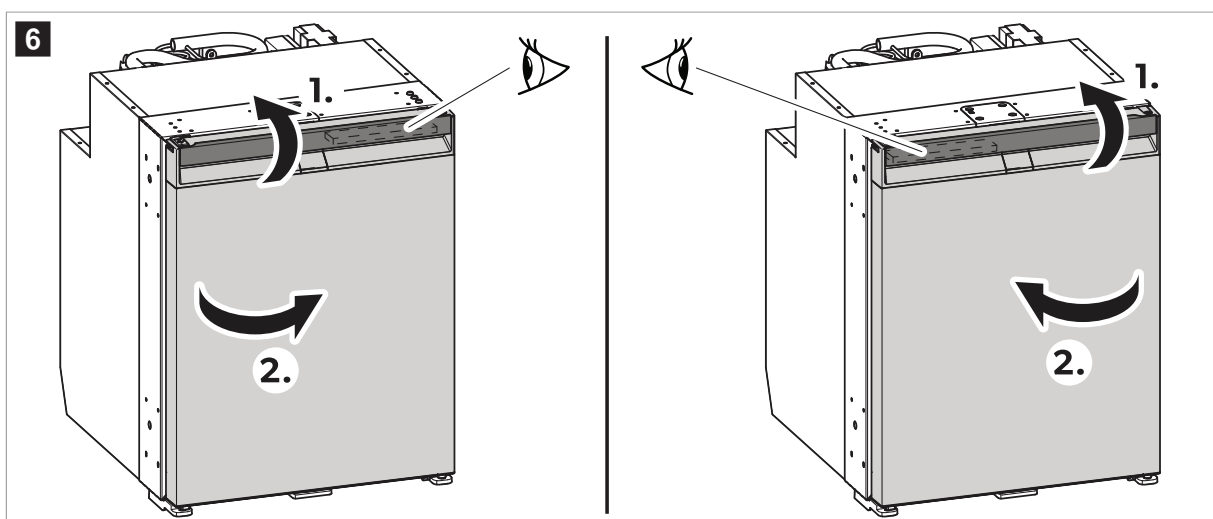
The refrigerator door and the frozen compartment door can completely detach from the device if used incorrectly.

9.4.1 Opening the refrigerator door



NOTE Ensure to pull the handle on the opposite side to the door stop. Note the respective position of the slider. Refer to the associated installation manual.

- > To open the refrigerator door proceed as shown.



9.4.2 Closing and securing the refrigerator door



CAUTION! Risk of injury

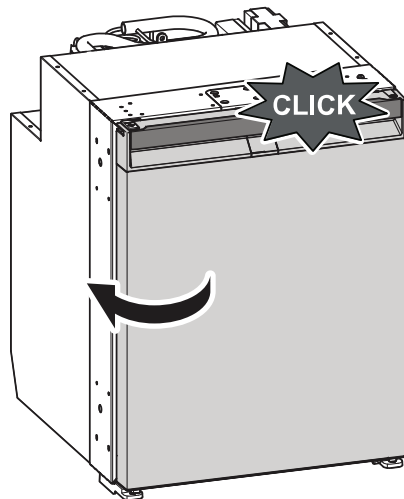
If the door is not secured correctly, carefully push on the top and bottom of the door until it is secured in place.



NOTE The refrigerator door has a latching mechanism which is also used to protect it during transport.

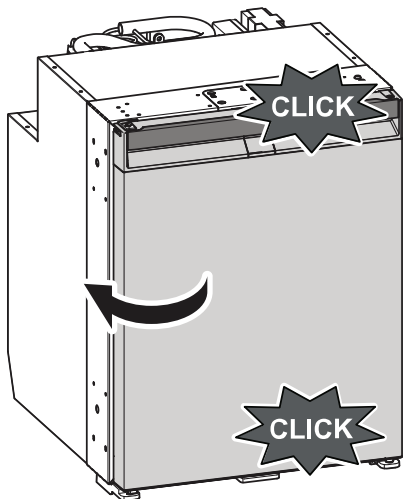
- > NRX0035–0130(E): Press the door shut until you clearly hear it click at the top.

7 NRX0035 – 0130 (E)



- > NRX0035–0130(C), NRX0050–0080(T) and NRX1035–1130(S) : Press the door shut until you clearly hear it click at the top and bottom.

8 NRX0050 – 0080 (T), NRX0035 – 0130 (C), NRX1035 – 1130 (S)




- ✓ The door is now closed and secured.

9.5 Switching on and off



NOTE Always switch off the refrigerator if it will not be used for a prolonged period of time.


- > To switch on, press and hold the  button once for at least 2 s .
- ✓ The refrigerator switches on with the last selected cooling level setting and operation mode.

- > To switch off, press and hold the  button for at least 2 s.

9.6 Setting the operation modes



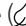
NOTE When using the ECO, PERFORMANCE or FREEZER mode the system stays in this mode until further changes.

- > To set the operation mode, press the  button repeatedly until the operation mode indicator LED for the desired operation mode lights up.

The following operation modes are available:

Using the ECO mode

With the ECO mode activated the refrigerator operates with reduced energy consumption at cooling levels 1 – 3.


- ✓ The operation mode indicator LED for the ECO mode () and the selected cooling level indicator LED light up.

Using the QUIET mode

With the QUIET mode activated the refrigerator operates with reduced noise level at cooling levels 1 – 4.



NOTE

- > The QUIET mode is not available if the refrigerator is running in FREEZER mode.
- > When using the QUIET mode the refrigerator will stay in this mode for 8 h and then return to the previously selected mode (ECO or PERFORMANCE mode).
- ✓ The operation mode indicator LED for the QUIET mode () and the selected cooling level indicator LED light up.

Using the PERFORMANCE mode

With the PERFORMANCE mode activated the refrigerator operates in standard mode at cooling levels 1 – 5.


- ✓ The operation mode indicator LED for the PERFORMANCE mode () and the selected cooling level indicator LED light up.

Using the FREEZER mode

With the FREEZER mode activated the complete interior of the refrigerator is cooled to $-6\text{ }^{\circ}\text{C}$ (21.2°F).



NOTE Remove the frozen compartment to use the FREEZER mode.

- ✓ The operation mode indicator LED for the FREEZER mode () and all cooling level indicator LEDs light up continuously.

9.7 Setting the cooling level

- > To set the cooling level, press the  button repeatedly until the desired cooling level is reached.

9.8 Repositioning the shelves



WARNING! Risk of child entrapment

NRX0060–0130 and NRX1060–1130: All shelves are fixed in place to prevent children from climbing into the refrigerator.

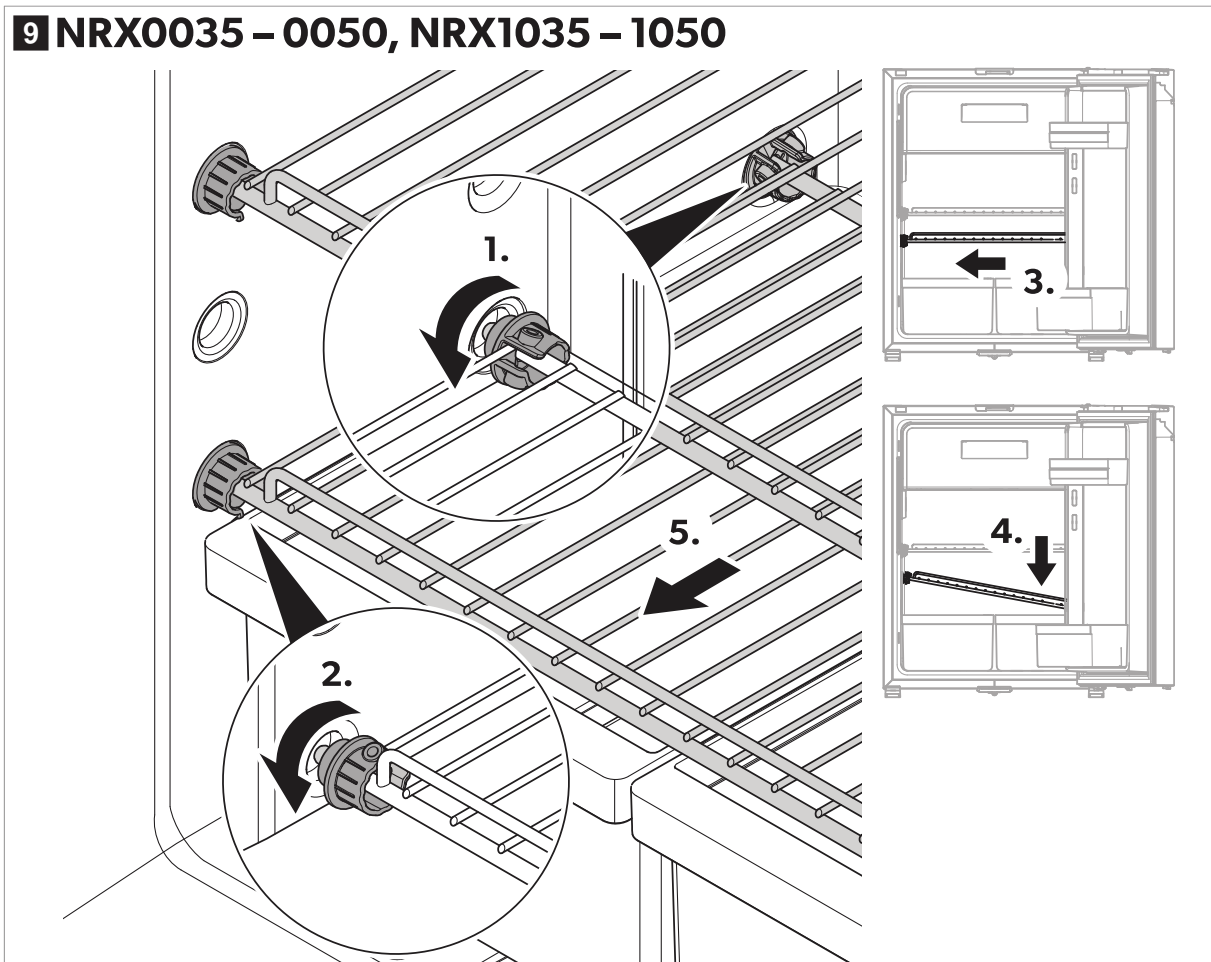
- > Only remove the shelves for cleaning purposes.

- > Refit the shelves and secure them in place.



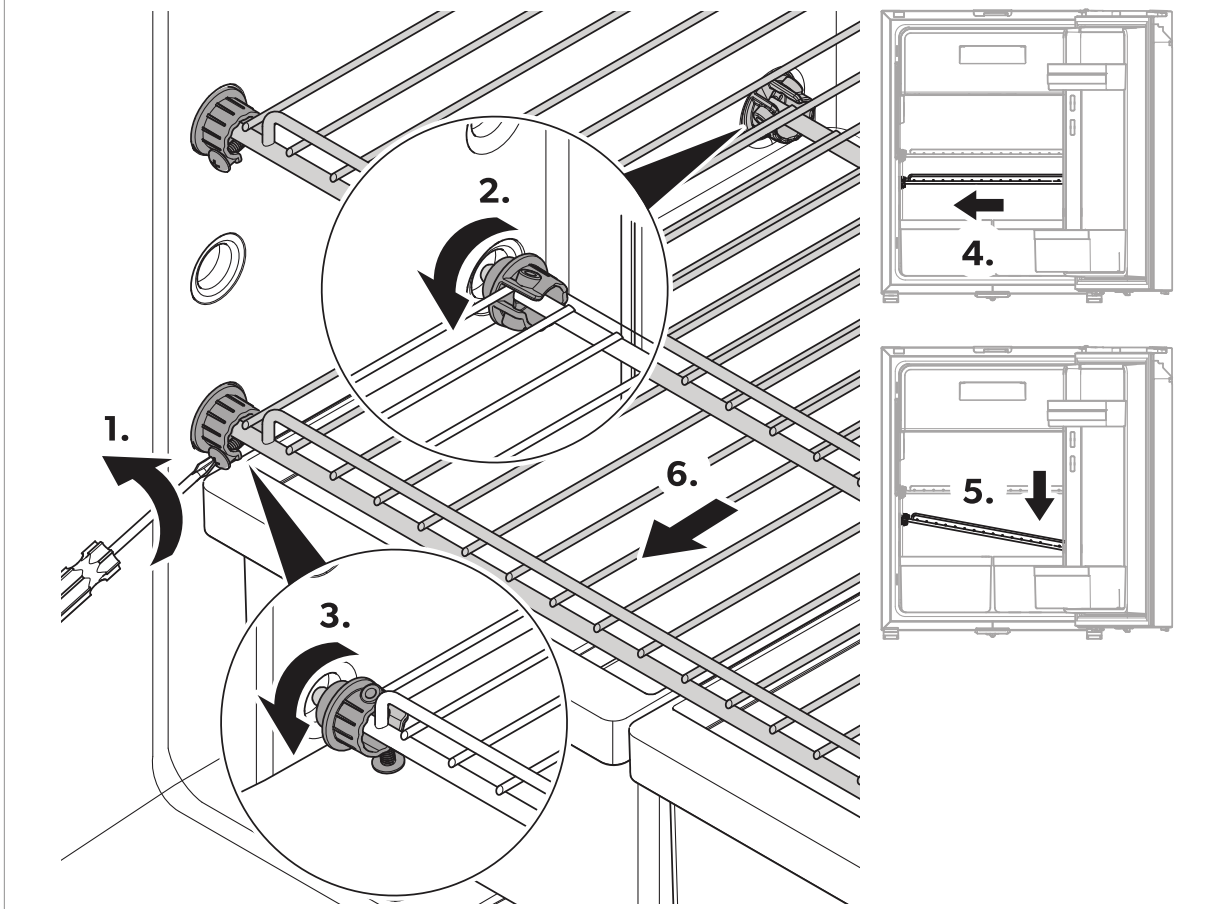
NOTE Remove the frozen compartment before repositioning the shelves for easier access to the rear shelf knobs.

- > **NRX0035-0050:** To reposition the shelves as desired proceed as shown.



- > **NRX0035-0050:** To reposition the shelves as desired proceed as shown.

10 NRX0060 – 0130, NRX1060 – 1130



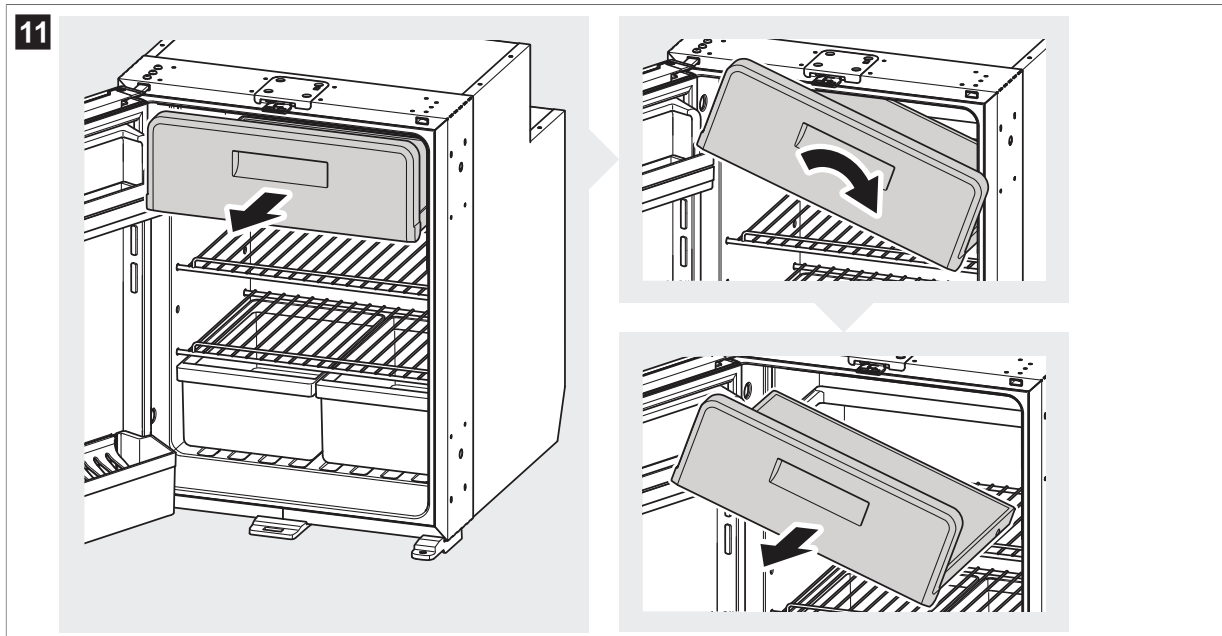
9.9 Removing the frozen compartment



NOTICE! Damage hazard

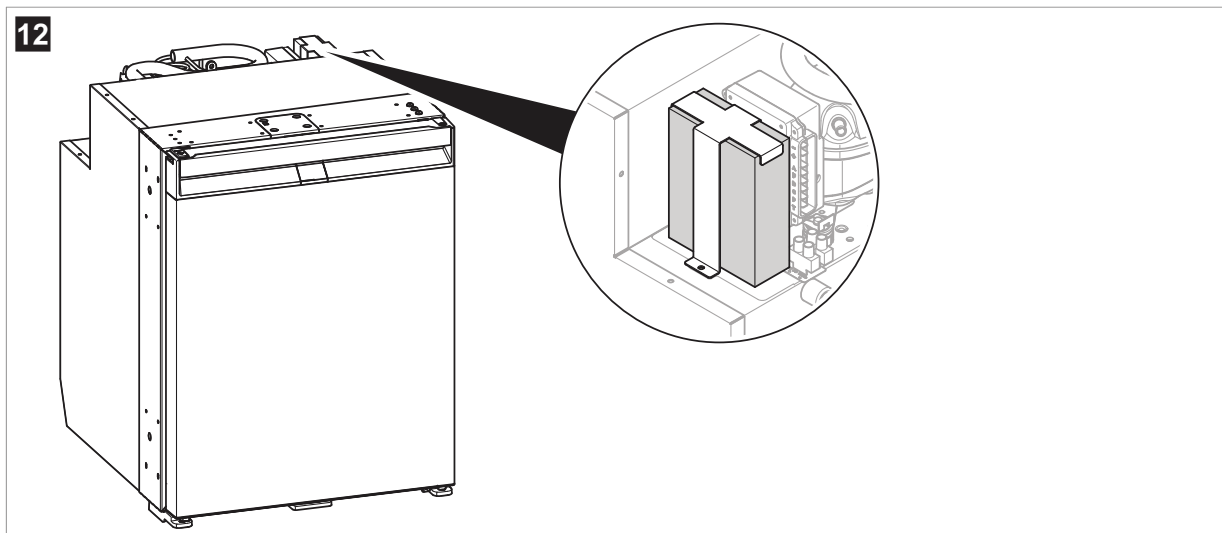
- > Close the frozen compartment door to remove the frozen compartment.
- > Grasp the frozen compartment by the bottom. Do not pull on the frozen compartment door.
- > Store the frozen compartment in a dry and safe place.

- > To remove the frozen compartment proceed as shown.



9.10 Installing the AC/DC adapter

- > To install the AC/DC adapter (accessories) proceed as shown.



10 Cleaning and maintenance



WARNING! Electrocutation hazard

Always disconnect the refrigerator from the energy supply before cleaning and maintenance.

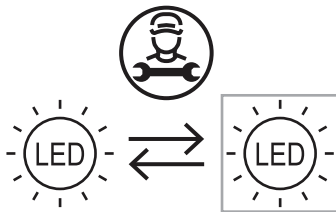


NOTICE! Damage hazard

- > Do not use abrasive cleaning agents or hard objects during cleaning.
- > Never use hard or sharp tools to remove ice or to free frozen objects.
- > Ensure that no water drips into the seals. This can damage the electronics.

**NOTICE! Damage hazard**

The light source can only be replaced by the manufacturer, a service agent or a similarly qualified person to avoid hazard.



- > Clean the interior and exterior of the refrigerator regularly with a damp cloth and as soon as it becomes dirty. Wipe the refrigerator dry with a cloth after cleaning.
- > Check the condensate drain regularly.
Clean the condensate drain when necessary. If it is blocked, the condensate collects on the bottom of the refrigerator.
- > Clean dust and dirt from the condenser regularly with a damp cloth.

Refrigerant circuit

The refrigerant circuit is maintenance-free.

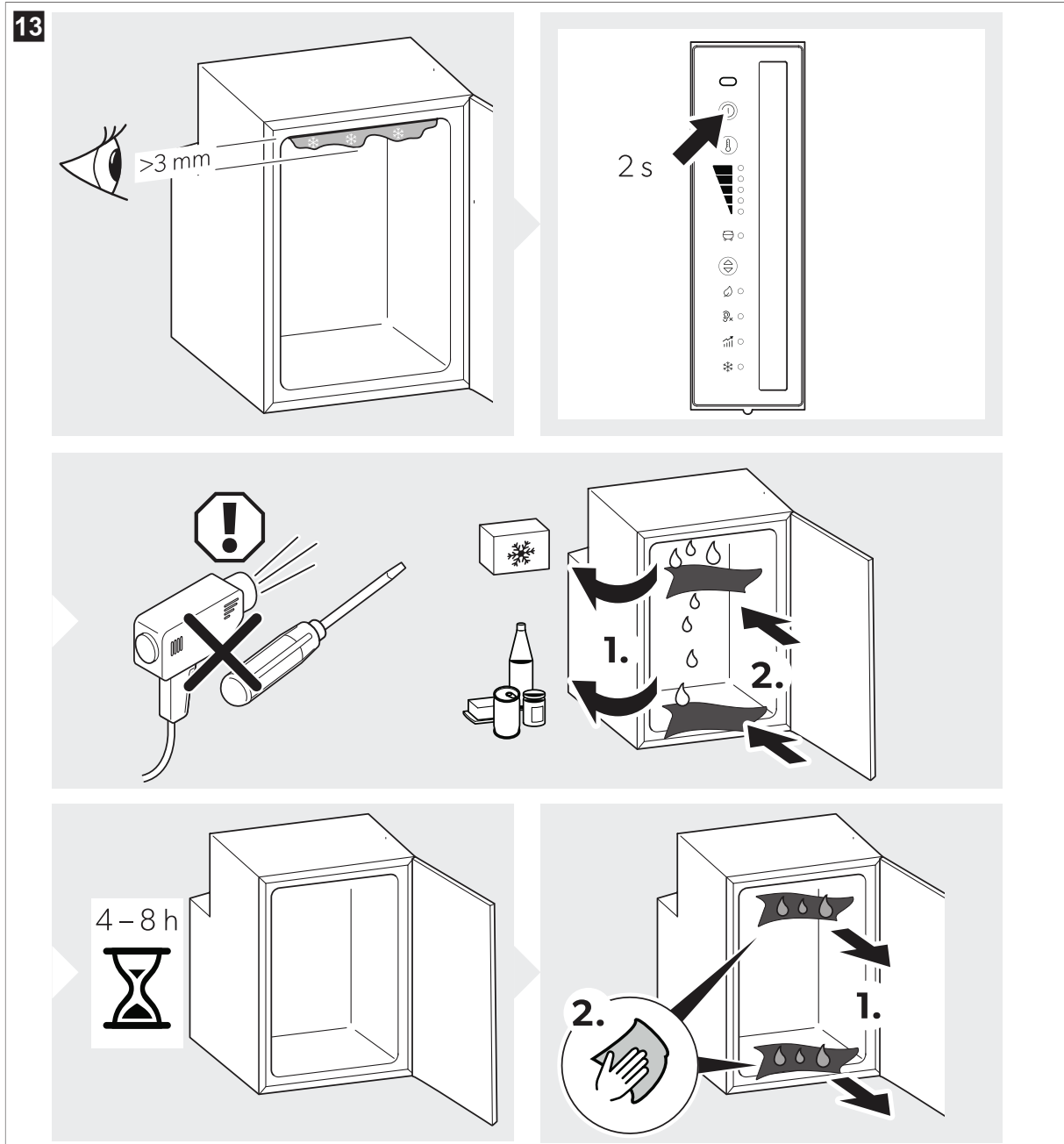
Defrosting the refrigerator**NOTICE! Damage hazard**

Do not use any mechanical tools or any other tools to speed up the defrosting process.



NOTE Over time, frost builds up on the back wall inside the refrigerator. If this layer of frost is about 3 mm (0.12 in) thick, defrost the refrigerator.

> To defrost the refrigerator proceed as shown.



Positioning the refrigerator door into storage position



CAUTION! Risk of injury

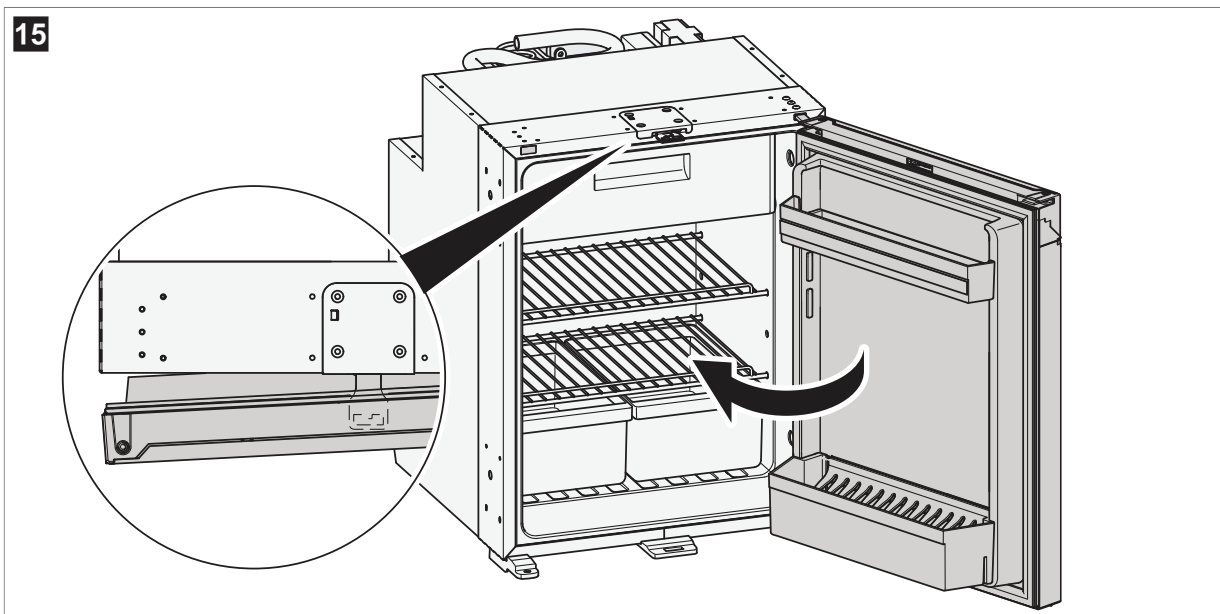
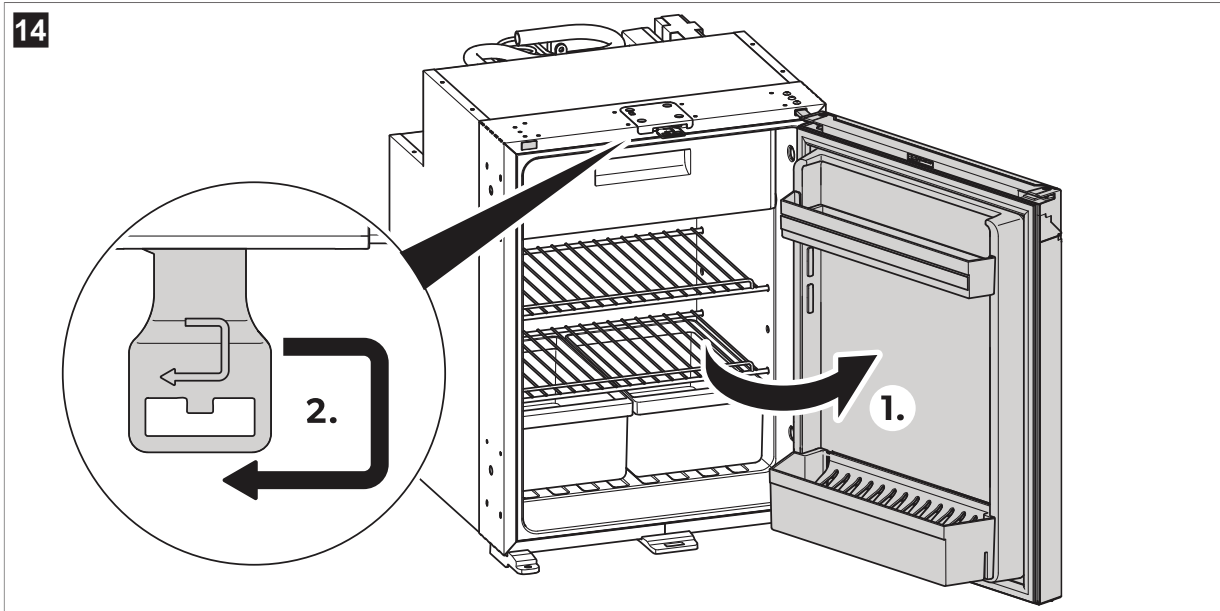
The storage position may not be used while driving.



NOTE Put the refrigerator door into the storage position if you are not going to use the device for a longer period of time. This prevents mold from forming.

> Defrost the refrigerator (see Defrosting the refrigerator on page 20).

> Put the refrigerator door into storage position as shown.

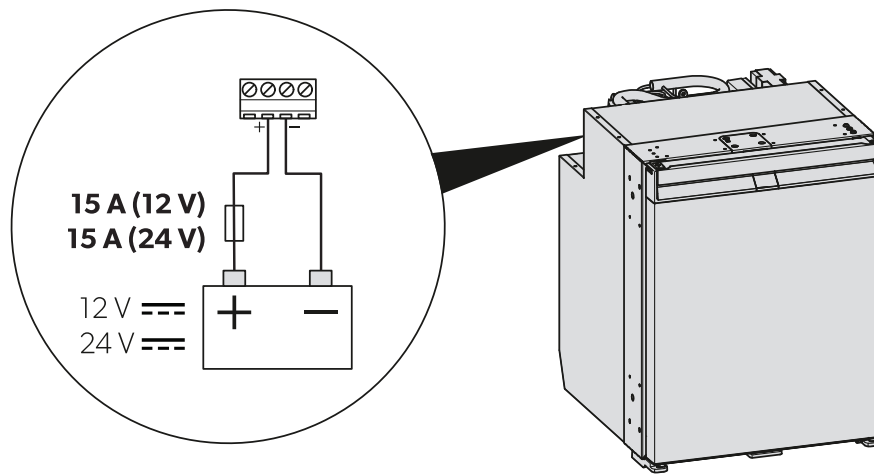



11 Troubleshooting



NOTE To safely operate 12 V consumer units in the caravan while driving, it must be ensured that the towing vehicle provides sufficient voltage. On some vehicles, the battery management system may automatically switch off the consumer units to protect the battery. Ask your vehicle manufacturer for more information.

16



| Problem | Possible cause | Suggested remedy |
|---|---|--|
| The refrigerator does not work. | The fuse in the DC cable is defective. | > Replace the fuse ( Fig. 16 on page 23). |
| | The vehicle fuse has blown. | > Replace the vehicle fuse. Refer to the operating manual of your vehicle. |
| | The vehicle battery is discharged. | > Test the battery and charge it. |
| | The ignition is not switched on. | > Switch on the ignition. |
| | The temperature at the compressor is too low (< 0 °C (32°F)). | > Close/cover all external ventilation grilles completely with insulation material. |
| | The refrigerator switches off automatically if the voltage is insufficient. (Cut-off voltage: 10.4 V \approx) | > Load the battery. The refrigerator will start again automatically. (Cut-in voltage: 11.7 V \approx) |
| Poor cooling, increase in interior temperature. Compressor runs continuously. | The ventilation around the cooling unit is not sufficient. | > Check that the ventilation grille is not obstructed. > Move the refrigerator to another location. |
| | The interior walls are iced up. | > Check whether the refrigerator door closes properly. > Ensure that the refrigerator seal fits correctly and is not damaged. > Defrost the refrigerator (see Defrosting the refrigerator on page 20). |
| | The temperature is set too high. | > Set a lower temperature. |

| Problem | Possible cause | Suggested remedy |
|---|---|--|
| | The ambient temperature is too high. | > Remove the ventilation grille for a while so that warm air can escape quicker. |
| | Too much food was placed in the refrigerator at the same time. | > Remove some of the food. |
| | Too much warm food was placed in the refrigerator at the same time. | > Remove the warm food and leave it to cool down before putting it in again. |
| | The refrigerator has not been operating for very long. | > Check the temperature again after 4 h / 5 h . |
| | The condenser is dirty. | > Clean the condenser (see chapter <i>Cleaning and maintenance</i> on page 19). |
| | The fan is defective. | > Contact an authorized service agent. |
| Poor cooling, increase in interior temperature. The compressor does not run often. | The battery capacity is exhausted. | > Charge the battery. |
| Poor cooling, increase in interior temperature. The compressor does not run (battery connection). | There is an interruption in the battery electronics connection. | > Establish a connection. |
| | The main switch is defective (if installed). | > Replace the main switch. |
| | The additional supply line fuse has blown (if installed). | > Replace the supply line fuse. |
| | The battery voltage is too low. | > Charge the battery. |
| | The battery capacity too low. | > Replace the battery. |
| | The cables are loose. The contact is poor (corrosion). | > Establish a connection. |
| | The cable cross section is too small. | > Replace the cable. |
| | The compressor is defective. | > Contact an authorized service agent. |
| Poor cooling, increase in interior temperature. The compressor does not run (connection to AC supply). | The connection supply line is interrupted. | > Establish a connection. |
| | The main switch is defective (if installed). | > Replace the main switch. |
| | The additional supply line fuse has blown (if installed). | > Replace the supply line fuse. |

| Problem | Possible cause | Suggested remedy |
|--|---|---|
| | The compressor is defective. | > Contact an authorized service agent. |
| Unusual noises. | A component of the refrigerant circuit cannot move freely (touching the wall). | > Bend the component carefully away from the obstruction. |
| | There is a foreign object stuck between the cooling unit and the wall. | > Remove the foreign object. |
| | Fan noise. | > Contact an authorized service agent. |
| The door opens unintentionally when moving (e.g. while driving). | The door latch is set to position A (see chapter <i>Adjusting the door latch</i> on page 11). | > Set the door latch to position B . |
| The door does not close properly. | The door latch is set to position A (see chapter <i>Adjusting the door latch</i> on page 11). | > Set the door latch to position B . |
| | The door latch is set to position B (see chapter <i>Adjusting the door latch</i> on page 11) but the door is not properly latched. | > Ensure that the door latches properly when closing. |

Error indication



NOTE

- > All errors are indicated by the error indicator LED flashing orange (see *Control and display elements* on page 10). The number of flashes depends on the type of fault. Each flash lasts for one quarter of a second. After the sequence of flashes a pause follows. The sequence for the fault is repeated every four seconds.
- > In ECO, PERFORMANCE, and FREEZER mode an additional beep sounds.

| Flashing frequency | Error | Possible cause |
|--------------------|-------------------------------------|---|
| 1 | Under or over voltage | The supply voltage is outside of the set range. |
| 2 | Excessive fan current | The fan load on the electronics unit is more than 1 A . |
| 3 | The motor does not start | The rotor is jammed. The pressure difference in the cooling system is too high. |
| 4 | Speed too low | If the cooling system is overloaded, the minimum speed of the motor cannot be maintained. |
| 5 | Overheating of the electronics unit | If the cooling system is loaded too heavily or the temperature is set too high, the electronics can overheat. |
| Constantly | Temperature sensor errors | Temperature sensor is defective. |

12 Warranty

Refer to the sections below for information about warranty and warranty support in the US, Canada, and all other regions.

United States and Canada

Limited warranty available at qr.dometic.com/bfneEw.

If you have questions or to obtain a copy of the limited warranty free of charge, contact:

DOMETIC CORPORATION
CUSTOMER SUPPORT CENTER
5155 VERDANT DRIVE
ELKHART, INDIANA, USA 46516
1-800-544-4881

All other regions

For repair and warranty processing, please include the following documents when you send in the device:

- A copy of the receipt with purchasing date
- A reason for the claim or description of the fault

Note that self-repair or nonprofessional repair can have safety consequences and might void the warranty.

13 Disposal



NOTICE! Damage hazard

The insulation of the cooling device contains flammable cyclopentane and requires special disposal procedures. Deliver the cooling device at the end of its life-cycle to an appropriate recycling center.



Place the packaging material in the appropriate recycling waste bins wherever possible. Consult a local recycling center or specialist dealer for details about how to dispose of the product in accordance with the applicable disposal regulations.

14 Technical data

| | NRX0035(E/C), NRX1035S | NRX0050(E/C/T), NRX1050S | NRX0060(E/C/T), NRX1060S |
|--|------------------------|--------------------------|--------------------------|
| Capacity | | | |
| • Refrigerator compartment (NRX0035-0130[C], NRX0050-0080[T] and NRX1035-1130[S] only) | 27.3 L (7.21 gal) | 39.6 L (10.46 gal) | 48.9 L (12.92 gal) |
| • Frozen compartment (NRX0035-0130[C], NRX0050-0080[T] and NRX1035-1130[S] only) | 4.4 L (1.16 gal) | 4.4 L (1.16 gal) | 6.1 L (1.61 gal) |
| • Total capacity | 32 L (8.45 gal) | 44 L (11.62 gal) | 55 L (14.53 gal) |
| • Total capacity (frozen compartment removed) | 34 L (8.98 gal) | 46 L (12.15 gal) | 58 L (15.32 gal) |
| Connection voltage | | | |

| | NRX0035(E/C), NRX1035S | NRX0050(E/C/T), NRX1050S | NRX0060(E/C/T), NRX1060S |
|---|---|--|--------------------------|
| <ul style="list-style-type: none"> NRX0035–0060(E/C/T) NRX1035–1060(S) | 12 / 24 V ⁼⁼⁼ 100 ... 240 V [~] | | |
| Supply battery protection (12 V) <ul style="list-style-type: none"> Cut-off voltage Cut-in voltage | 10.4 V 11.7 V | | |
| Supply battery protection (24 V) <ul style="list-style-type: none"> Cut-off voltage Cut-in voltage | 22.8 V 24.2 V | | |
| Climate class | T | | |
| Storage temperature range: <ul style="list-style-type: none"> Refrigerator Frozen compartment (NRX0035–0130[C], NRX0050–0080[T] and NRX1035–1130[S] only) Freezer mode (NRX0035–0130[C], NRX0050–0080[T] and NRX1035–1130[S] only) | 0 °C (32°F) ... 12 °C (53.6°F) –15 °C (5°F) ... –5 °C (23°F) –6 °C (21.2°F) | | |
| Intended ambient temperature use | 16 °C (60.8°F) ... 43 °C (109.4°F) | | |
| Refrigerant | R1234yf | | |
| Refrigerant quantity | 24 g (0.85 oz) | 26 g (0.92 oz) | 26 g (0.92 oz) |
| Global warming potential (GWP) | 4 | | |
| Noise emission (EN 60704) | 40 ... 45 dB(A) | E, C, S: 40 ... 45 dB(A) T: 42 ... 45 dB(A) | |

| | NRX0035(E/C), NRX1035S | NRX0050(E/C/T), NRX1050S | NRX0060(E/C/T), NRX1060S |
|----------------------|---|--|--|
| Dimensions H x W x D | 525 (20.67) × 380 (14.96) × 355 mm (13.98 in) (without compressor and spacer) 525 mm (20.67 in) × 380 mm (14.96 in) × 480 mm (18.90 in) (with compressor and spacer) | E, C, S: 525 mm (20.67 in) × 380 mm (14.96 in) × 510 mm (20.08 in) T: 533 mm (20.98 in) × 380 mm (14.96 in) × 510 mm (20.08 in) | E, C, S: 525 mm (20.67 in) × 448 mm (17.64 in) × 537 mm (21.14 in) T: 533 mm (20.98 in) × 448 mm (17.64 in) × 537 mm (21.14 in) |
| Net weight | E: 13.5 kg (29.8 lb) C: 16 kg (35.3 lb) S: 17 kg (37.5 lb) | E: 14.5 kg (32.0 lb) C: 17.5 kg (38.6 lb) S: 18.5 kg (40.8 lb) T: 15 kg (33.1 lb) | C: 17 kg (37.5 lb) S: 18 kg (39.7 lb) E, T: 16 kg (35.3 lb) |
| Maximum load | | | |
| • Per door shelf | 4 kg (8.8 lb) | 4 kg (8.8 lb) | 5 kg (11.0 lb) |
| • Per door | E: 4 kg (8.8 lb) C/S: 8 kg (17.6 lb) | E: 4 kg (8.8 lb) C/S: 8 kg (17.6 lb) | E: 5 kg (11.0 lb) C/S: 10 kg (22.0 lb) |

| | NRX0080(E/C/T), NRX1080S | NRX1115S | NRX1130S |
|--|---------------------------------|--|-------------------|
| Capacity | | | |
| • Refrigerator compartment (NRX0035–0130[C], NRX0050–0080[T] and NRX1035–1130[S] only) | 68.4 L (18.07 gal) | 104.5 L (27.61 gal) | 118 L (31.18 gal) |
| • Frozen compartment (NRX0035–0130[C], NRX0050–0080[T] and NRX1035–1130[S] only) | 6.6 L (1.74 gal) | 8.2 L (2.17 gal) | 8.2 L (2.17 gal) |
| • Total capacity | 75 L (19.82 gal) | 113 L (29.85 gal) | 126 L (33.29 gal) |
| • Total capacity (frozen compartment removed) | 78 L (20.61 gal) | 116 L (30.65 gal) | 130 L (34.35 gal) |
| Connection voltage | | | |
| • NRX1080–1130(S) | | 12 / 24 V \equiv 100 ... 240 V \sim | |
| • NRX0080–0130(E/C), NRX0080T | | 12 / 24 V \equiv | |

| | NRX0080(E/C/T), NRX1080S | NRX1115S | NRX1130S |
|---|---|--|--|
| Supply battery protection (12 V) | | 10.4 V | |
| • Cut-off voltage | | 10.4 V | |
| • Cut-in voltage | | 11.7 V | |
| Supply battery protection (24 V) | | 22.8 V | |
| • Cut-off voltage | | 22.8 V | |
| • Cut-in voltage | | 24.2 V | |
| Climate class | T | | |
| Storage temperature range | 0 °C (32°F) ... 12 °C (53.6°F) | | |
| • Refrigerator | 0 °C (32°F) ... 12 °C (53.6°F) | | |
| • Frozen compartment (NRX0035–0130C/T and NRX1035–1130S only) | –15 °C (5°F) ... –5 °C (23°F) | | |
| • Freezer mode (NRX0035–0130C/T and NRX1035–1130S only) | –6 °C (21.2°F) | | |
| Intended ambient temperature use | 16 °C (60.8°F) ... 43 °C (109.4°F) | | |
| Refrigerant | R1234yf | | |
| Refrigerant quantity | E, C, S: 28 g (0.99 oz) T: 32 g (1.13 oz) | 32 g (1.13 oz) | 32 g (1.13 oz) |
| Global warming potential (GWP) | 4 | | |
| Noise emission (EN 60704) | E, C, S: 40 ... 45 dB(A) T: 42 ... 45 dB(A) | 40 ... 45 dB(A) | |
| Dimensions H x W x D | E, C, S: 625 (24.61) × 475 (18.70) × 537 mm (21.14 in) 633 (24.92) × 475 (18.70) × 537 mm (21.14 in) | 745 (29.33) × 525 (20.67) × 568 mm (22.36 in) | 812 (31.97) × 525 (20.67) × 568 mm (22.36 in) |
| Net weight | C: 20 kg (44.1 lb) S: 21 kg (46.3 lb) E, T: 18 kg (39.7 lb) | C: 26 kg (57.3 lb) S: 27 kg (59.5 lb) E: 24 kg (52.9 lb) | C: 27 kg (59.5 lb) S: 28 kg (61.7 lb) E: 25 kg (55.1 lb) |

| | NRX0080(E/C/T), NRX1080S | NRX1115S | NRX1130S |
|------------------|---------------------------------|--|--|
| Maximum load | | | |
| • Per door shelf | 5 kg (11.0 lb) | 6 kg (13.2 lb) | 6 kg (13.2 lb) |
| • Per door | 10 kg (22.0 lb) | E: 12 kg (26.5 lb) C/S: 18 kg (39.7 lb) | E: 12 kg (26.5 lb) C/S: 18 kg (39.7 lb) |

15 Technical data

| | NRX0090V |
|---|------------------------------------|
| Capacity | |
| • Refrigerator compartment | 79 L (20.87 gal) |
| • Frozen compartment | 8.4 L (2.22 gal) |
| • Total capacity | 87 L (22.99 gal) |
| • Total capacity (frozen compartment removed) | 92 L (24.31 gal) |
| Connection voltage | 12 / 24 V ⁼⁼ |
| Supply battery protection (12 V) | |
| • Cut-off voltage | 10.4 V |
| • Cut-in voltage | 11.7 V |
| Supply battery protection (24 V) | |
| • Cut-off voltage | 22.8 V |
| • Cut-in voltage | 24.2 V |
| Energy consumption | 0.35 kWh (0.47 hp·h)/ 24 h |
| Climate class | T |
| Storage temperature range | |
| • Refrigerator | 0 °C (32°F) ... 15 °C (59°F) |
| • Frozen compartment | -12 °C (10°F) ... -5 °C (23°F) |
| • Freezer mode | -5 °C (23°F) ± 2 °C (± 35.6°F) |
| Intended ambient temperature use | 16 °C (60.8°F) ... 43 °C (109.4°F) |
| Refrigerant | R600a |
| Refrigerant quantity | 22 g (0.78 oz) |
| CO ₂ equivalent | 0.000 t |
| Global warming potential (GWP) | 3 |
| Noise emission (EN60704) | |

| | NRX0090V |
|--|---|
| <ul style="list-style-type: none"> • PERFORMANCE mode • QUIET mode | <p>< 40 dB(A)</p> <p>37 dB(A)</p> |
| Dimensions H x W x D | 821 mm (32.32 in) × 486 mm (19.13 in) × 480 mm (18.90 in) |
| Net weight | 22 kg (48.5 lb) |

16 Legal

This device complies with Part 15 of the FCC Rules. Operation is subject to the following two conditions:

- This device may not cause harmful interference.
- This device must accept any interference received, including interference that may cause undesired operation.

Changes or modifications not expressly approved by the party responsible for compliance could void the user's authority to operate the equipment. This equipment has been tested and found to comply with the limits for a Class B digital device, pursuant to part 15 of the FCC Rules. These limits are designed to provide reasonable protection against harmful interference in a residential installation. This equipment generates, uses and can radiate radio frequency energy and, if not installed and used in accordance with the instructions, may cause harmful interference to radio communications. However, there is no guarantee that interference will not occur in a particular installation. If this equipment does cause harmful interference to radio or television reception, which can be determined by turning the equipment off and on, the user is encouraged to try to correct the interference by one or more of the following measures:

- Reorient or relocate the receiving antenna.
- Increase the separation between the equipment and receiver.
- Connect the equipment into an outlet on a circuit different from that to which the receiver is connected.
- Consult the dealer or an experienced radio/TV technician for help.

This device complies with Industry Canada license-exempt RSS standard(s). Operation is subject to the following two conditions:

- This device may not cause interference.
- This device must accept any interference, including interference that may cause undesired operation of the device. This Class B digital apparatus complied with Canadian ICES-3(B)/NBM-3(B).