

Panther RV Products

EN >>

Table of Contents

Use

Name of main part -----	02
Notes -----	03
Use of roof windows -----	04

Installation

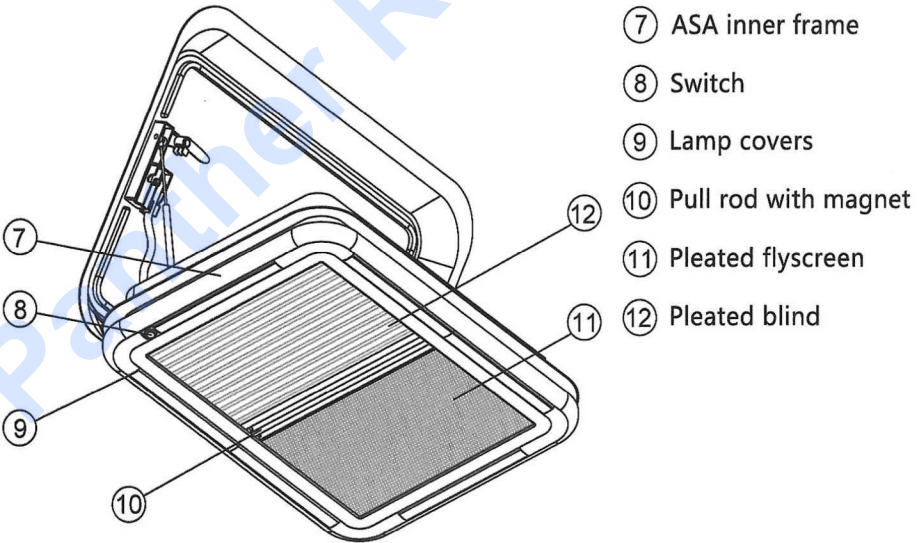
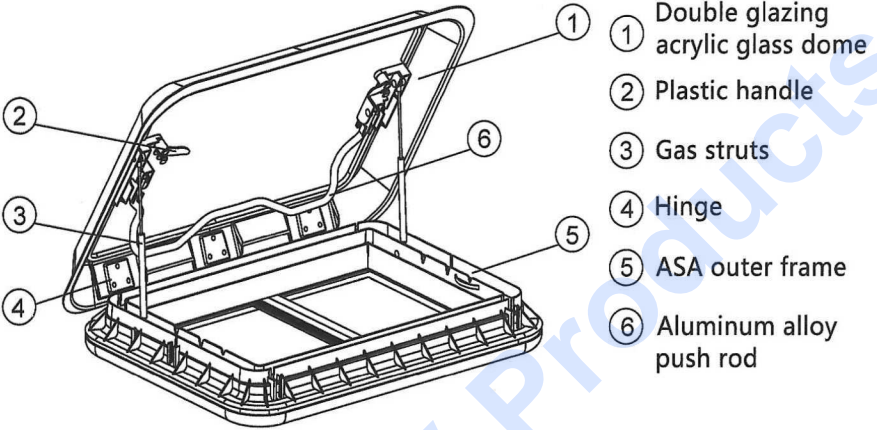
Product Size -----	08
Packing List -----	09
Installation Precautions -----	10
Installation of roof windows -----	13

Other items

Warranty regulation -----	14
Product Warranty Card -----	15

Name of Main part

Roof window







Notes

Please read this manual carefully before installation. Install it strict accordance with the provisions of this manual.After reading,please keep this manual properly.

To avoid injury or property damage to users and others,please strictly follow the safety warnings and precautions.

◦ Marks & meanings

	Warning! Risk of serious injury or damage.
	Notification! It may result in damages failing to follow the instructions.
	The symbol indicates that the operation is prohibited.
	The symbol indicates information about the note.

Warning!

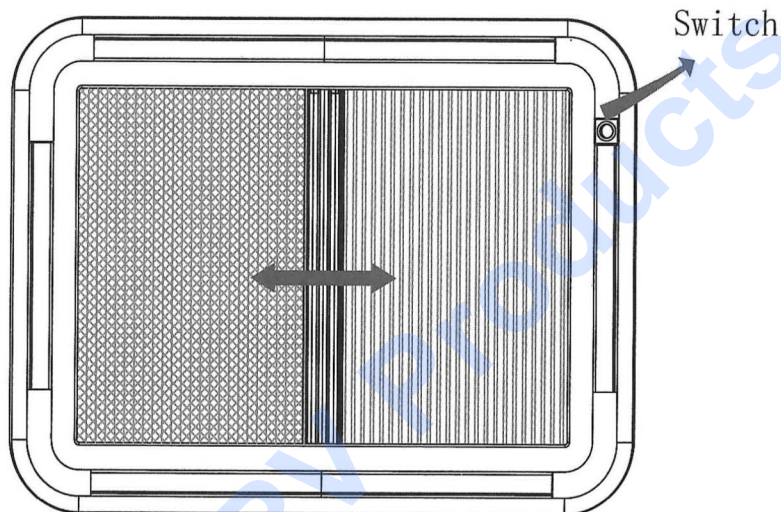
- 1.Invite a professional to install the product.
- 2.It is strictly forbidden to disassemble, repair or modify the product by yourself, otherwise the manufacturer will not be responsible for any loss incurred.
- 3.Please close the sunroof top cover before driving, otherwise the top cover may be damaged when driving.
- 4.The maximum allowed driving speed does not exceed 130 km/h, otherwise the roof may be damaged and personal injury may be caused.

Notification!

- 1.If the fault is not eliminated, please consult manufacturer immediately.
- 2.Do not step on the glass dome.
- 3.Check that the roof windows are locked before driving.
- 4.When opening or closing the roof window, make sure that there are no obstacles on top surface.
- 5.Before starting your journey, inspect roof windows for damage (eg cracks in the glass).
- 6.Do not open the roof window while driving.
- 7.Do not open the roof window in strong winds or under heavy rain.

Use of roof windows

Curtains and Lights



Light Control: Switch to control light on or off.

Use of curtains: Pleated blind and pleated flyscreen can be adjusted arbitrarily by pulling rods. (two rods can be used at the same time or separately)



Turn off the power when leaving the car for a long time!

Use of roof windows

Open the dome (60°)

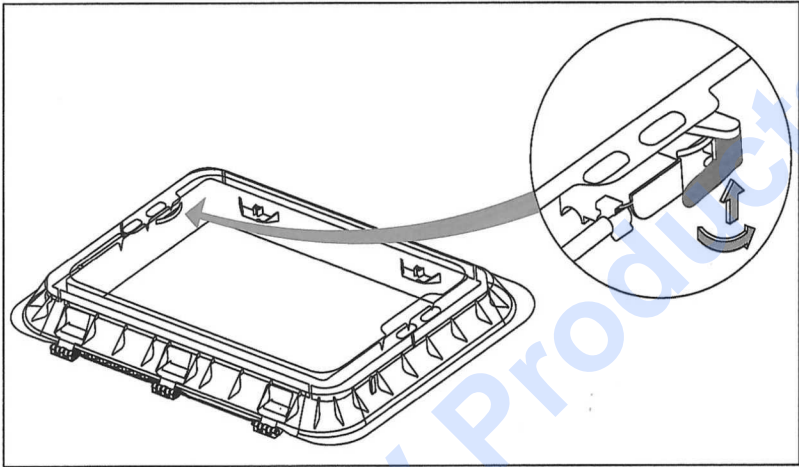


Figure 1

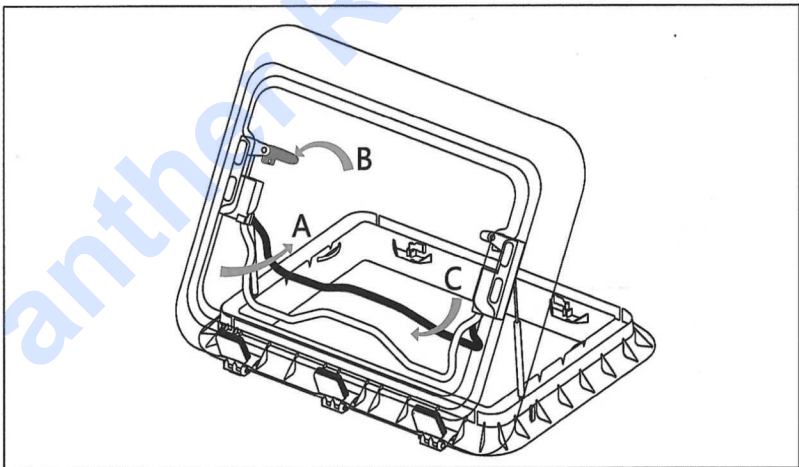


Figure 2



Please close the dome when driving, otherwise the product may be damaged.
Please close roof window in time in bad weather such as rain and snow.

Use of roof windows

Open the dome (10°)

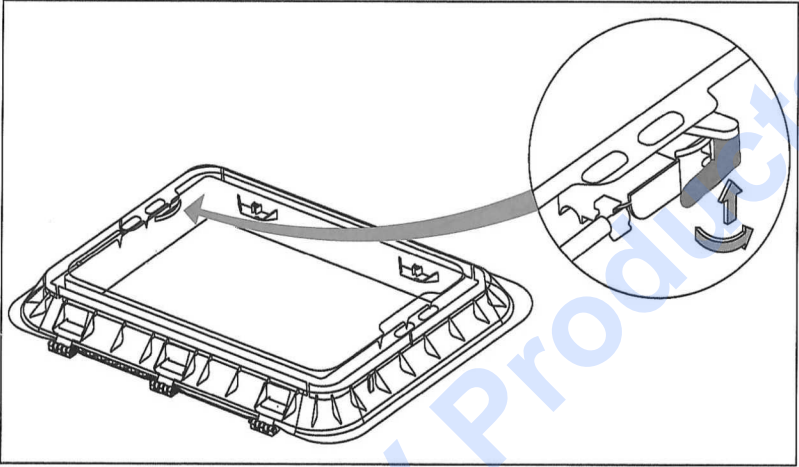


Figure 3

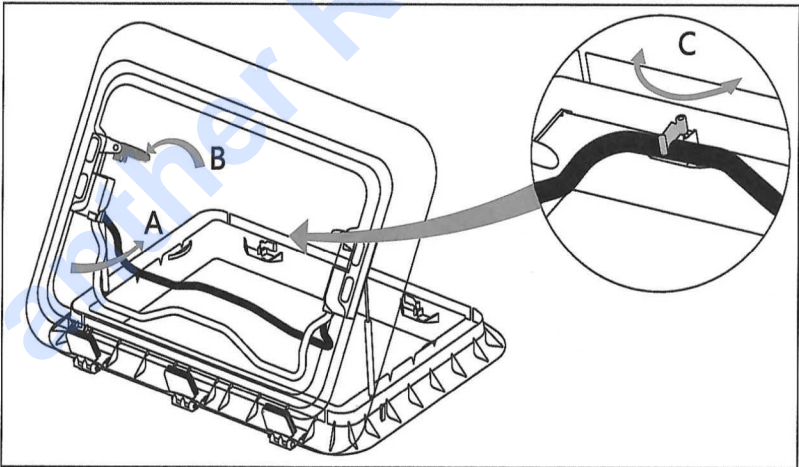


Figure 4



Please make sure the rod is fixed securely.

Use of roof windows

Open the dome (2°)

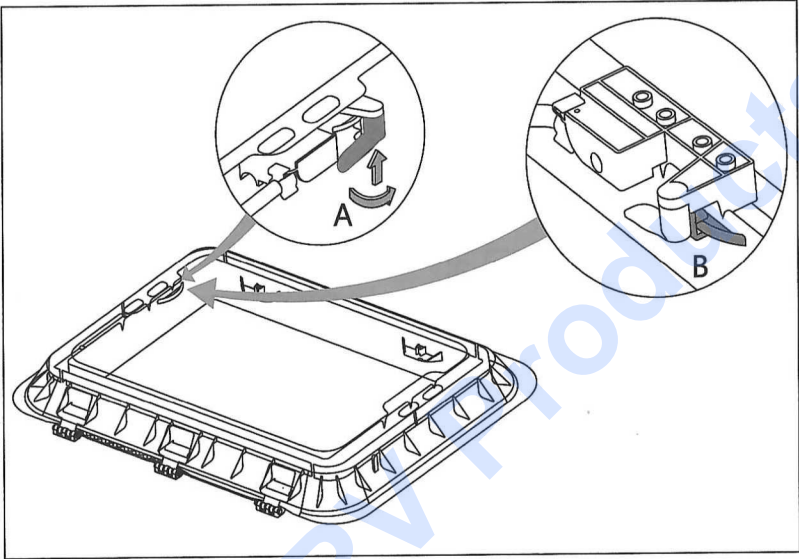


Figure 5

Open the dome (60°)

Operation steps:

1. Press handle button and rotate it to 90° (see Figure 1).
2. Pull the rod out (operation A) and push dome up (operation B) (see Figure 2).
After opening, the dome is supported by two gas struts.
3. Press the rod back to its original state (operation C).
4. To close it, do the operations in reverse order.

Open the dome (10°)

Operation steps:

1. Press the handle button and rotate it to 90° (see Figure 3).
2. Pull the rod out (operation A) and push dome up (operation B) (see Figure 4).
After opening, the dome is supported by two gas struts.
3. Open the two buckles, place the pull rod at the buckles, and then fix the pull rod with buckle (operation C)

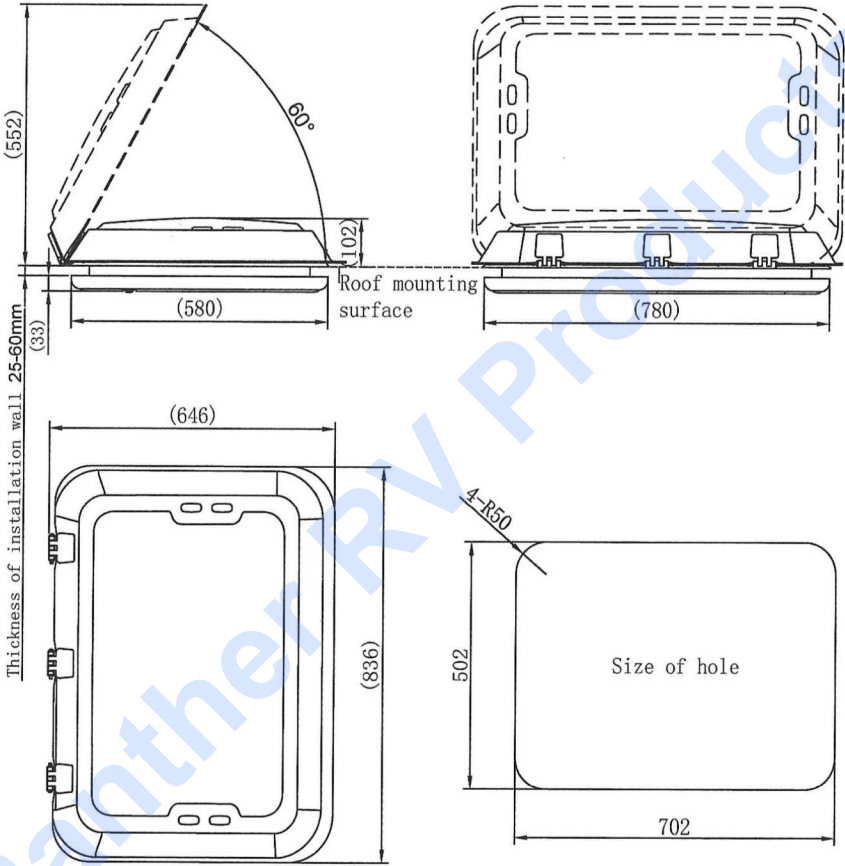
Open the dome (2°)

Operation steps:

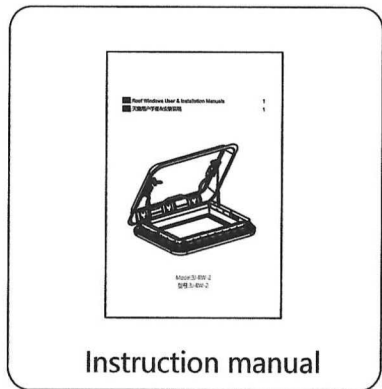
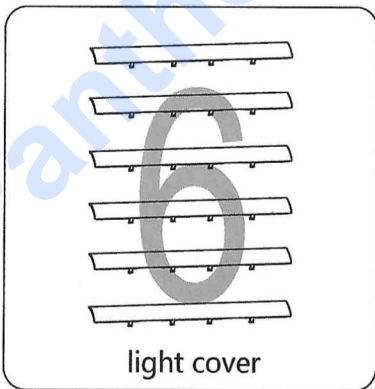
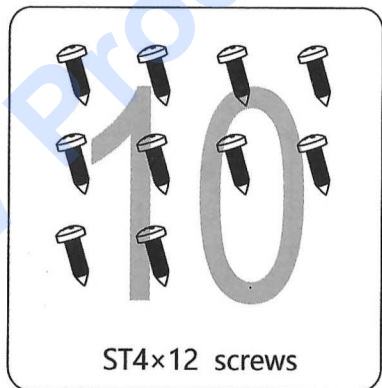
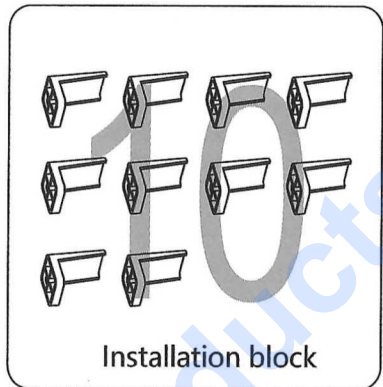
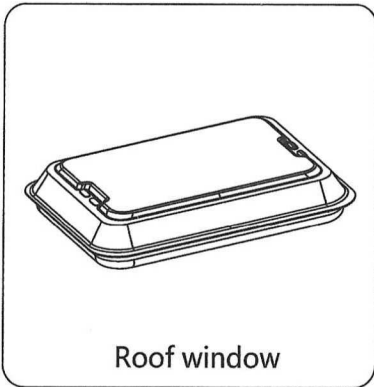
1. Press the handle button and rotate the handle to 90° (operation A) (see Figure 5).
2. Rotate the handle and snap the handle to the second step (operation B)
3. To close it, do the operations in reverse order.

Product size

Unit: mm



Packing list



The package is suitable for 35mm wall thickness.

Installation precautions



Installation precautions:

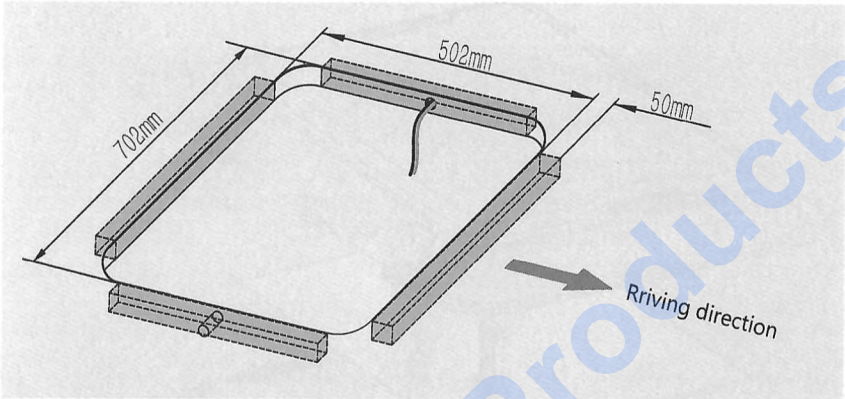
1. The power is 12V DC.
2. The roof window is only suitable for flat roofs (maximum inclination angle 15°).
3. When installing roof window, select appropriate self-tapping screws according to the thickness of roof(see the table below).
4. Be careful not to damage the interior components and structures (especially the power cord) when opening holes in the roof.

Mounting screw specification table

NO.	Specification	Name	Wall thickness	Remarks
1	ST3.5×16	Stainless Steel Self Tapping Screws	25-29mm	Not included
2	ST3.5×22	Stainless Steel Self Tapping Screws	30-35mm	included in List
3	ST3.5×25	Stainless Steel Self Tapping Screws	36-38mm	Not included
4	ST3.5×32	Stainless Steel Self Tapping Screws	39-45mm	Not included
5	ST3.5×38	Stainless Steel Self Tapping Screws	46-51mm	Not included
6	ST3.5×45	Stainless Steel Self Tapping Screws	52-57mm	Not included
7	ST3.5×50	Stainless Steel Self Tapping Screws	58-60mm	Not included

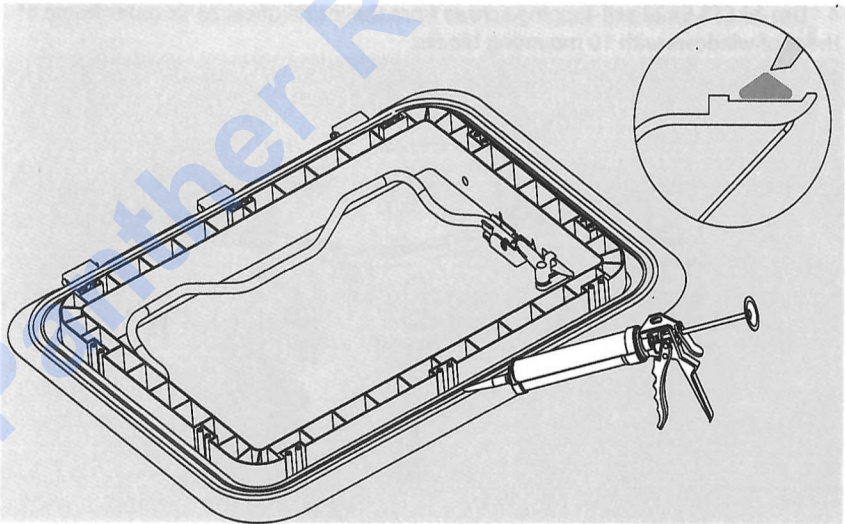
Installation of roof windows

1. Find the hole size drawing on the [Product Size] page, open a mounting hole on the roof (a solid wall with a width of $\geq 50\text{mm}$ is required around the hole), reserve $\geq 50\text{mm}$ power cord on the left or right side of the hole.



- i** Please pay attention to the thickness of the wall before installing.
This package is suitable for 35mm wall thickness.

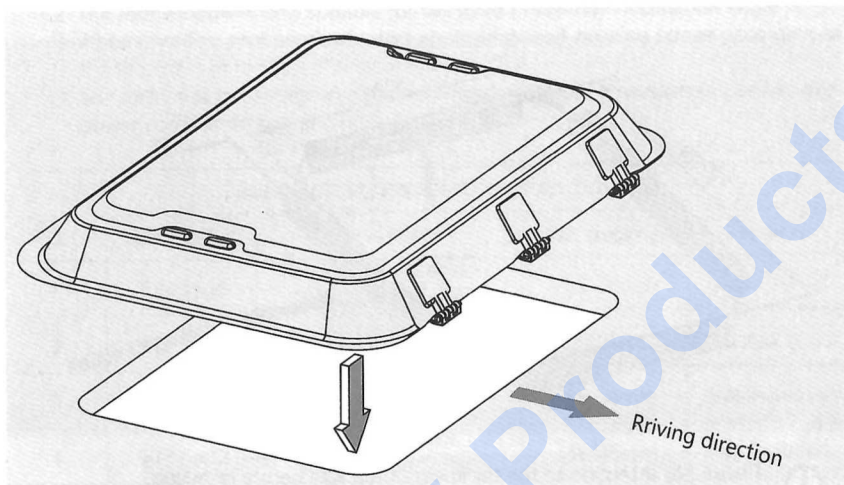
2. Apply a ring of sealant (for example: Sika 710) evenly in the groove of outer frame.



- i** Please apply gule according to the instructions for use of the sealant.

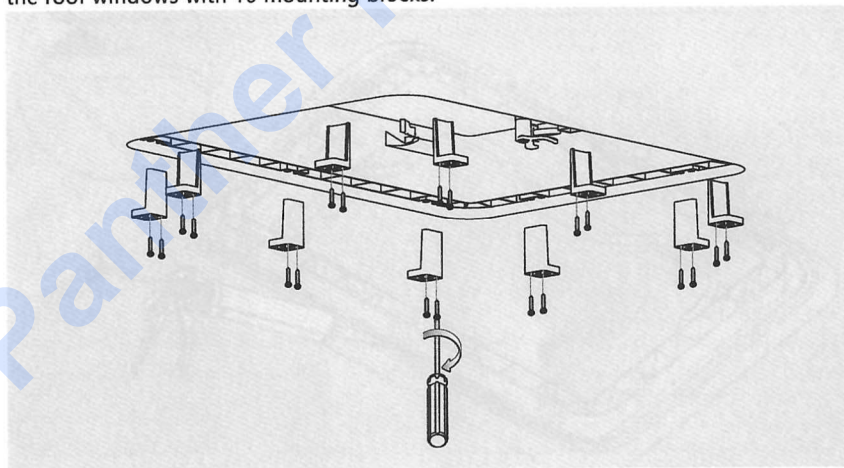
Installation of roof windows

3、 Put the roof windows into the opening and press the outer frame to spread sealant evenly.



i Please pay attention to the installation direction before installation (the hinge towards driving direction).

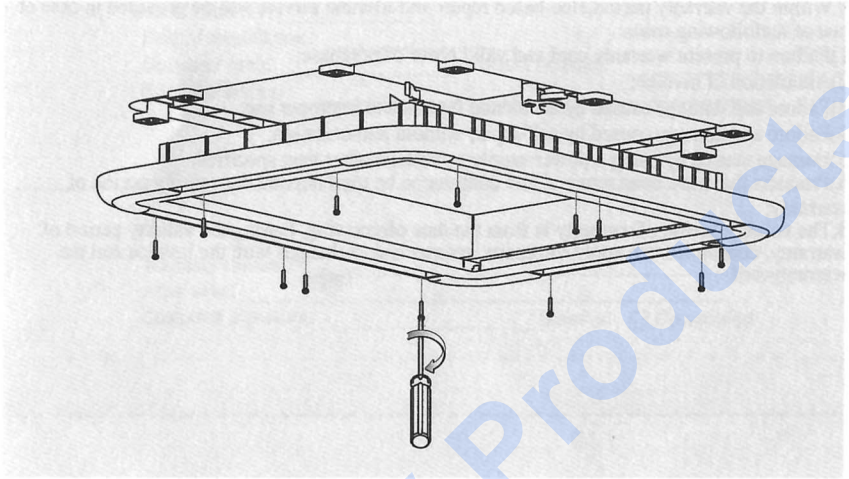
4、 Use 20 ST3.5×22 self-tapping screws from the inside of car to fix outer frame of the roof windows with 10 mounting blocks.



i The mounting screw torque is $\leq 1.5\text{N.m}$.

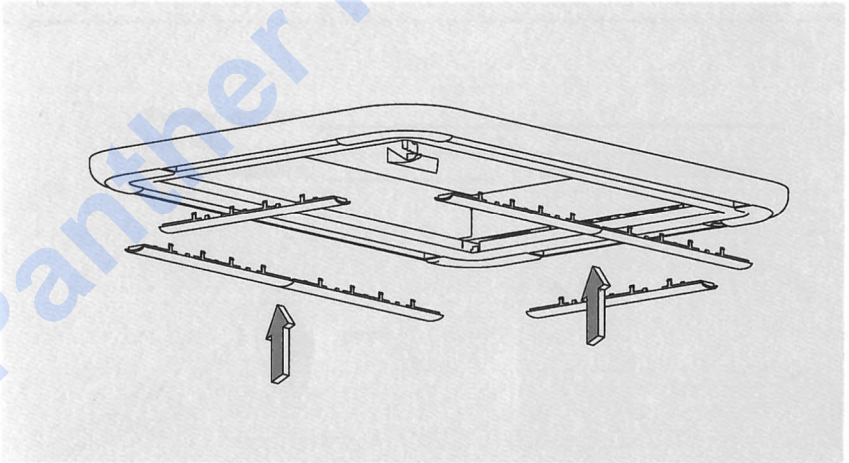
Installation of roof windows

5. Use 10 ST4×12 self-tapping screws to fix the inner frame of the roof window to the outer frame from the inside of the car.



i The mounting screw torque is $\leq 1.5\text{N.m}$.

6. Snap the 6 lamp covers to the grooves in the inner frame of the roof window.



i Please tear off the protective film on the top of the glass in time. After installation, please check if the light is working properly.

Warranty

1. One year warranty is provided for the whole product.
2. Within warranty period, please contact the manufacturer or return it to the sales outlet for repair if the product is defective.
3. Within the warranty period, a fee-based repair and lifetime service will be provided in case of one of the following cases:
 - 1) Failure to present warranty card and valid proof of purchase;
 - 2) Alteration of invoice;
 - 3) Failure and damage caused by accidental factors and improper use;
 - 4) Failure and damage caused by self-repair without authorization;
 - 5) Damage caused by using a power supply or voltage other than specified;
 - 6) Products that have been repaired and continue to be used beyond the validity period of warranty;
4. The validity period of warranty is from the date of receiving. During the validity period of warranty, consumers can apply for repairs, returns and exchanges with the invoice and the warranty card.

Panther RV Products

Product warranty card

Product name: _____
Product model: _____
Serial number: _____
Date of manufacture: _____
Customer name: _____ Contact number: _____
Customer address: _____

Warranty content: _____
After sales: _____
Customer signature: _____ Satisfied Dissatisfied

Warranty content: _____
After sales: _____
Customer signature: _____ Satisfied Dissatisfied

Warranty content: _____
After sales: _____
Customer signature: _____ Satisfied Dissatisfied

